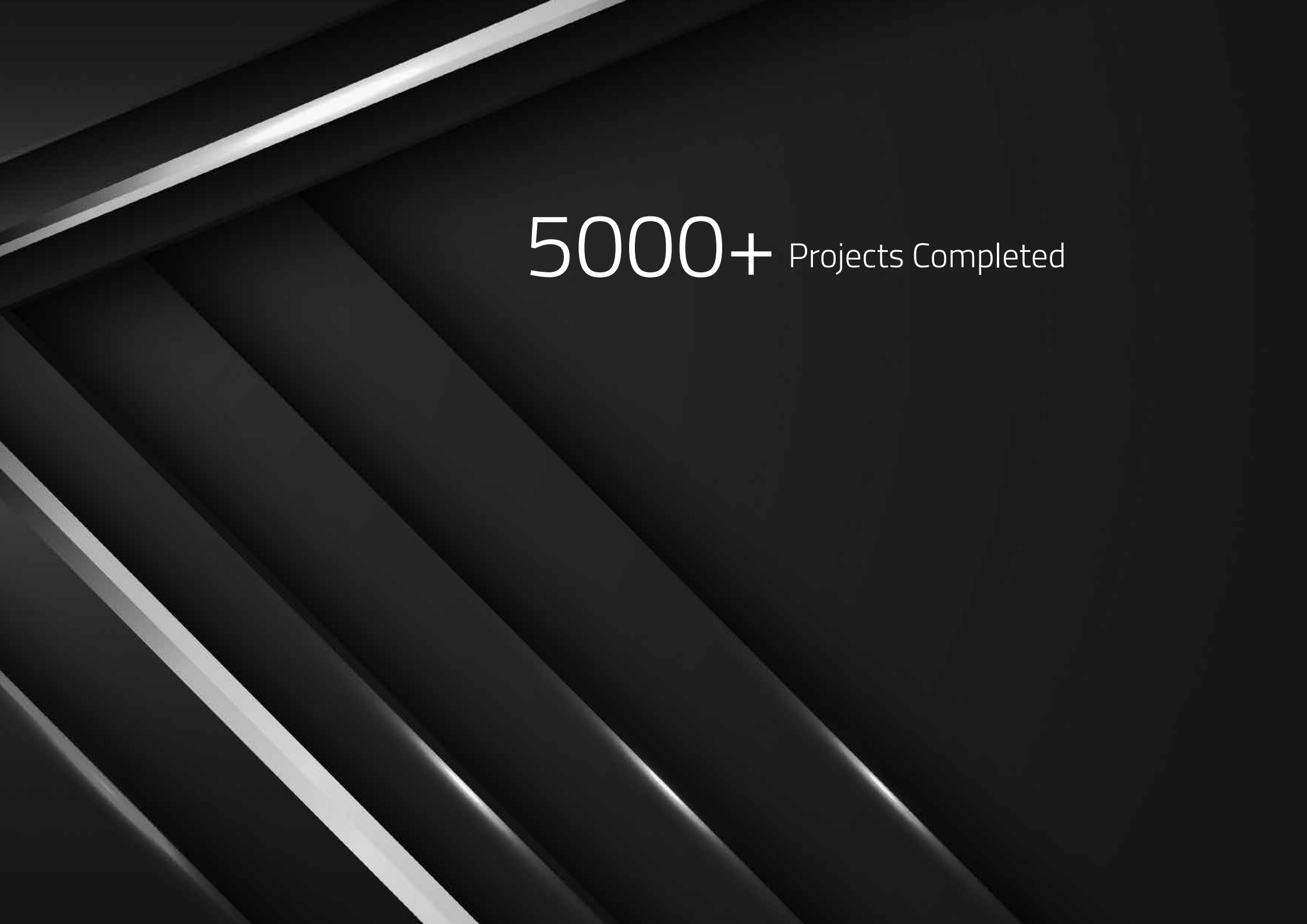


Premium Series

LIGHTBOOK RETAIL PRIVATE LIMITED

feel the light with us



5000+ Projects Completed



- Super Market
- Industrial
- Electronics
- Retail & Lifestyle
- Foodmarket
- Commercial
- Residential
- Outdoor



Lightbook





Ashwin Dias - Director

Ashwin Dias has been entrusted and having strong technical experience in Lighting manufacturing and work process. He takes care of Lighting production facility, new clients development for business opportunity for the company.

He has been very aggressive and active in his role and responsibility assigned to his to meet the business target needs of organization.

Pravin Kadam - Director

He has set new standards by bringing: "Game changing business development" strategies and value in LED business.

He is professional Lighting Consultant having qualification- Degree in Interior Design. Passionate about lighting and having 18 years strong experience in lighting from product design .lighting design and manufacturing process.

In his career he has taken lighting lessons from International lighting consultant for hospitality, residential and Retail Project.

CASTILLER

new era of lighting begins...



CASTLLER



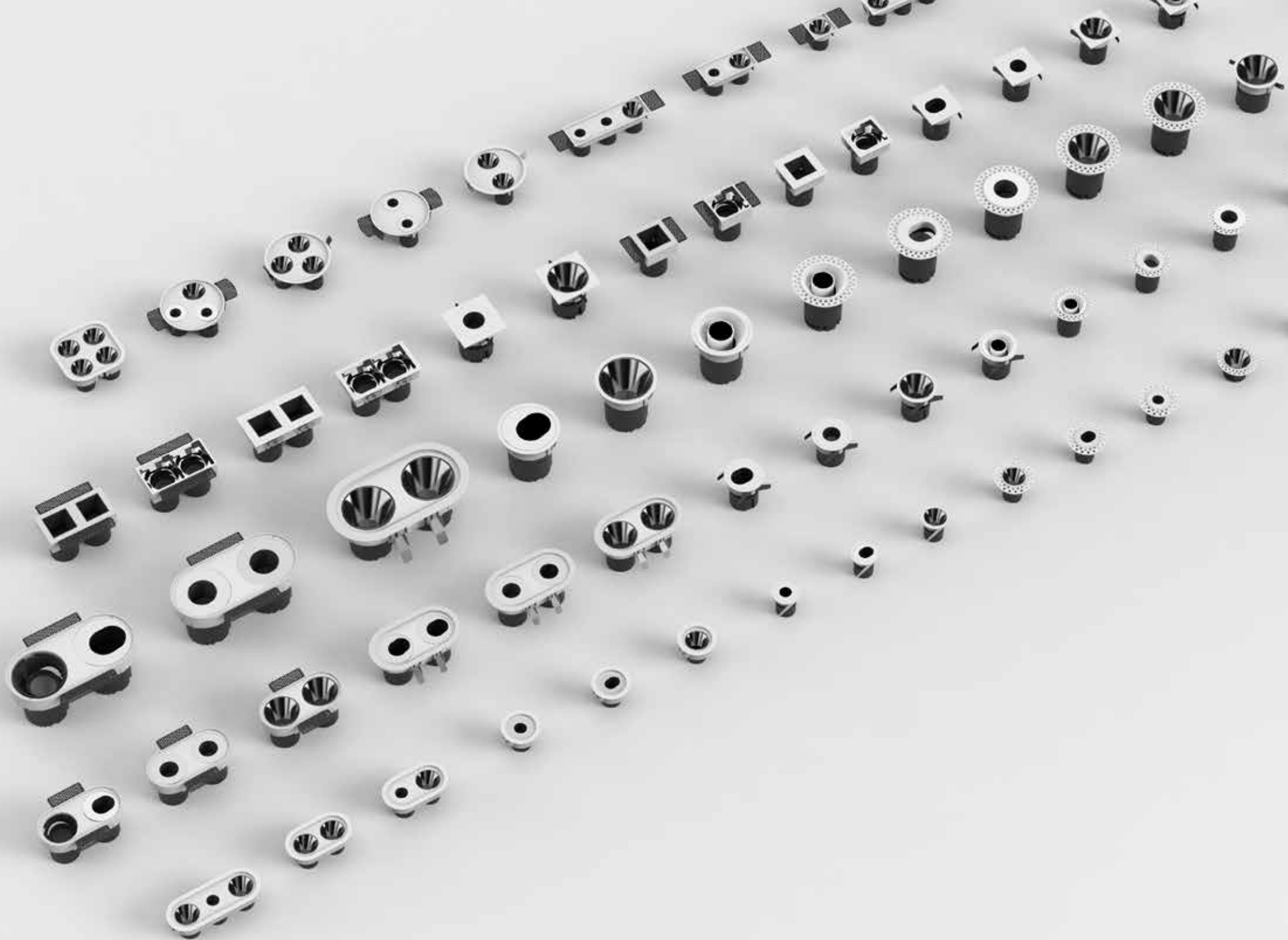
Iconic elements,
continue the classic

CASTLLER SERIES

CASTLLER SL1003 SERIES



Iconic elements continue the classic





Contents

01	Product Introduction Page	6~11
02	Product Structure Page	12~24
03	Optical Parameter Page	25~29
04	Reliability Test Page	30~34

CASTLLER new upgrade

First Generation

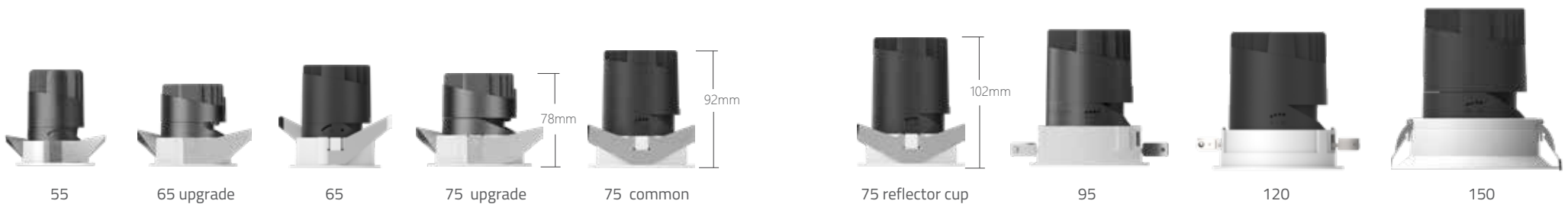


In 2016, the first generation of CASTLLER products were created, reflector cup version with cut hole 50, 75, 95 and 120 mm.

After several years, we have upgraded the CASTLLER SERIES as a whole (the previously ordered products are now made into normal products) through market information collection and customization requirements, as well as the customer's requirements for the performance and material properties of some products used by various usage scenarios.

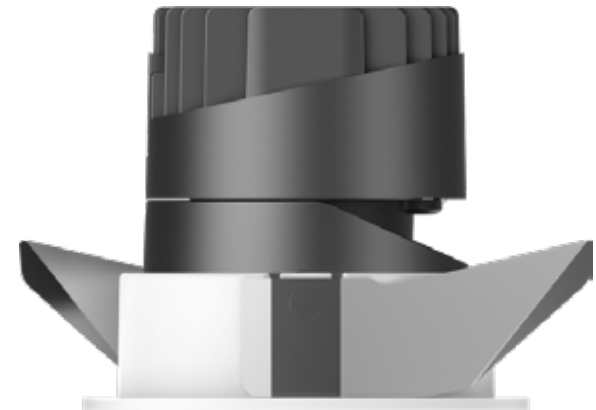
The cut hole made in the upgraded version are 55, 65, 75, 95, 120, 150 square single head and double head, Round beam and Anti-glare kit. Among them, 65 and 75 have made Round beam (Metal seamless), and 75 openings also have reflector cup (H: 102mm) and lenses (H: 92mm).

Second Generation





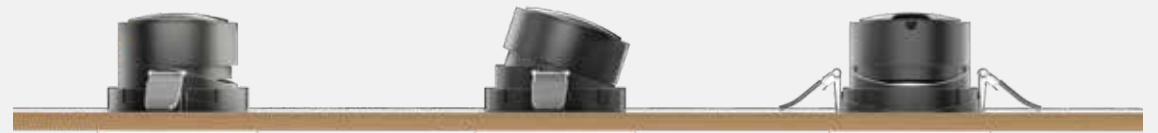
Adjustable



Direct



CASTLLER new upgrade





Adjustable



Direct



CASTLLER new upgrade



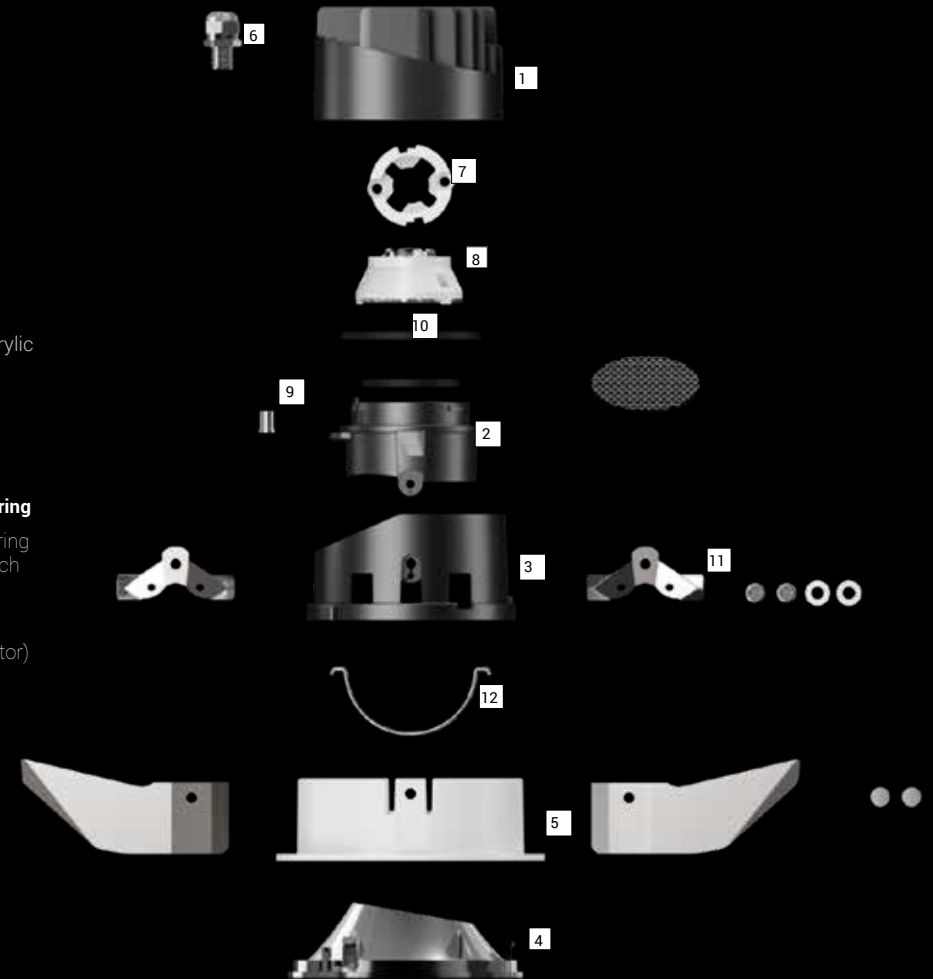
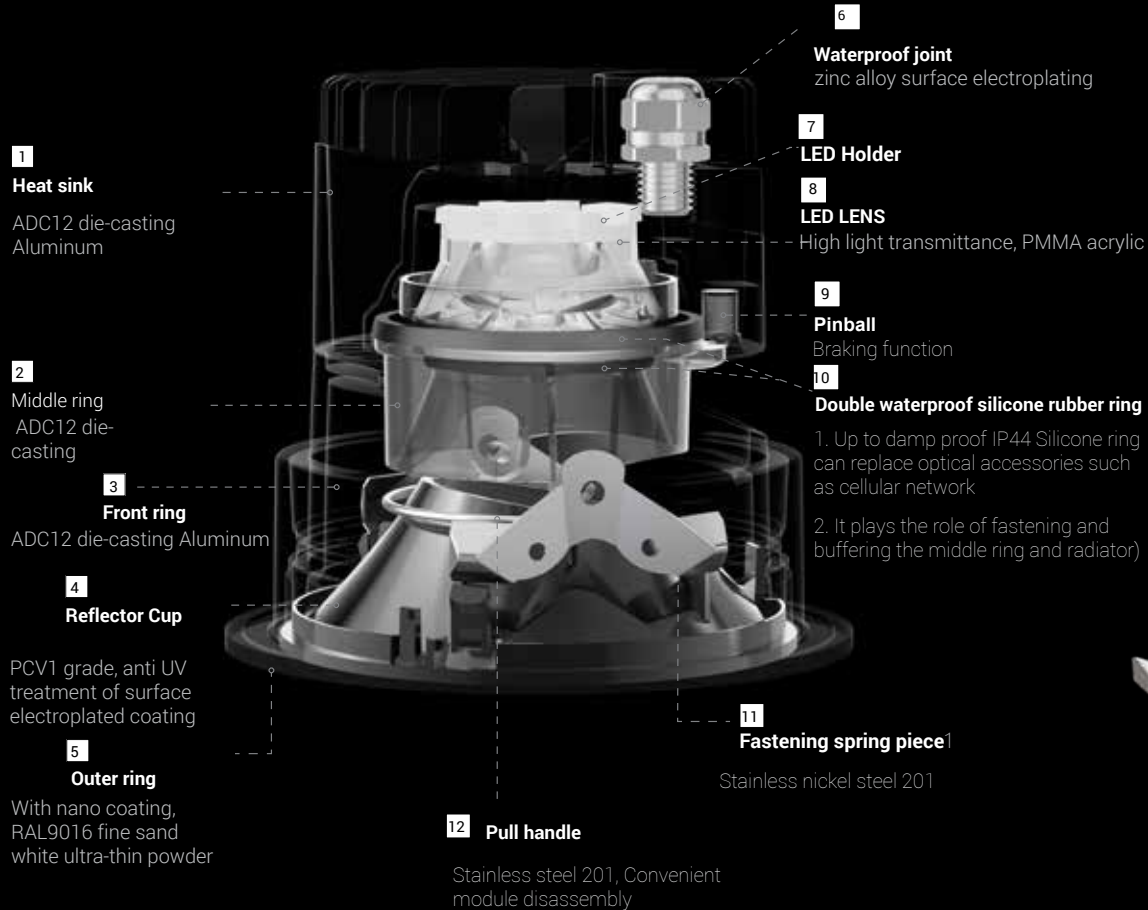


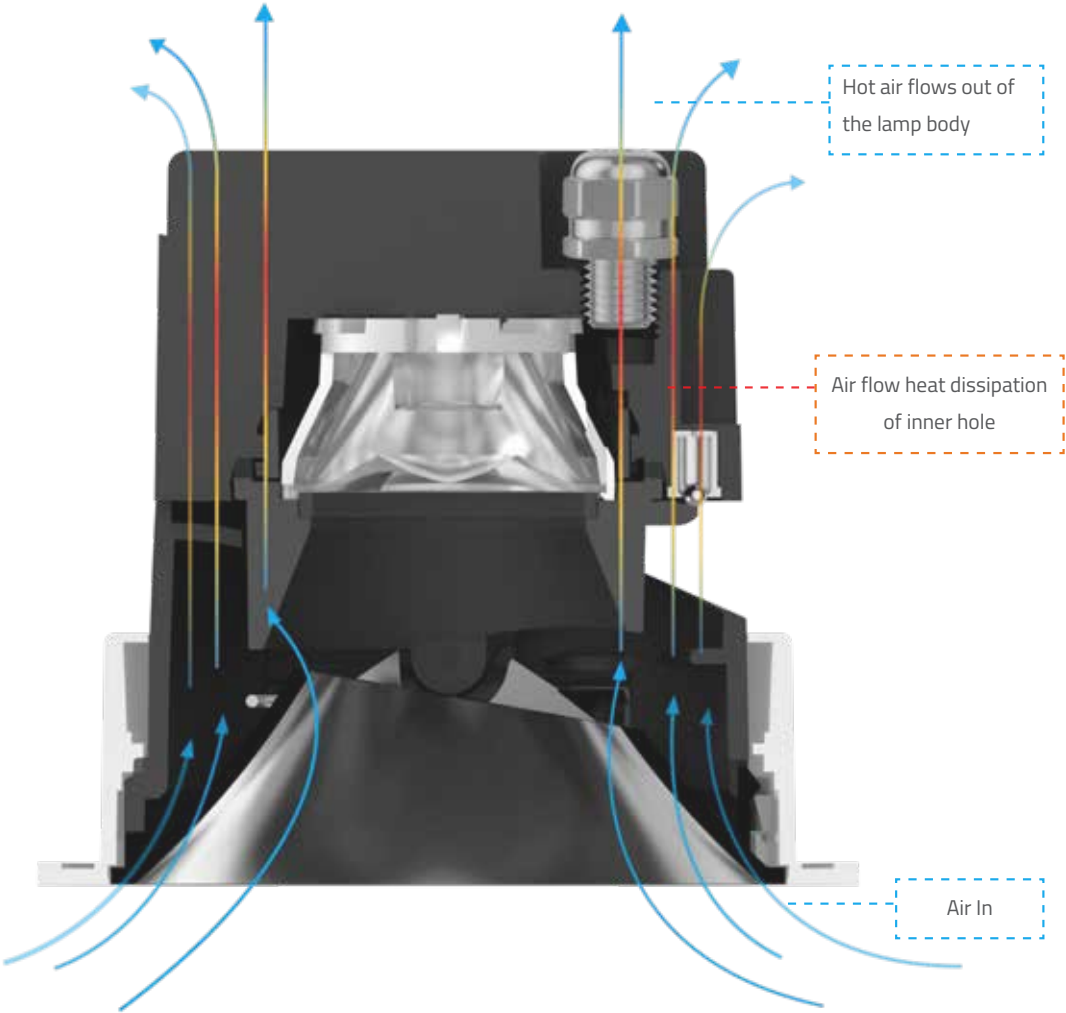
Adjustable



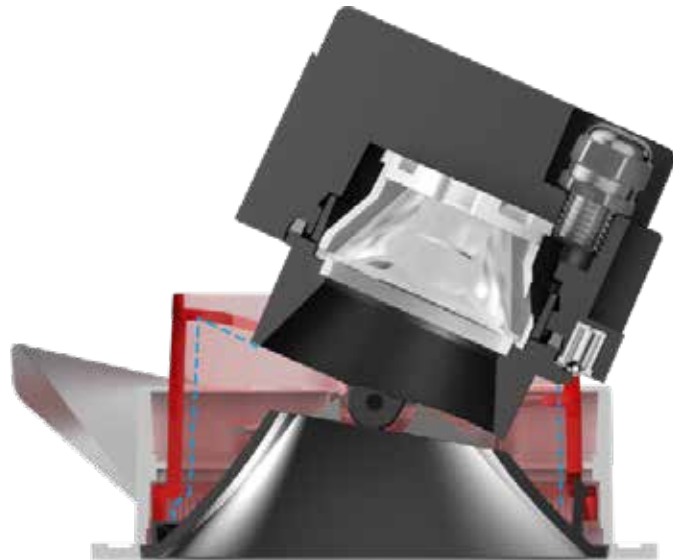
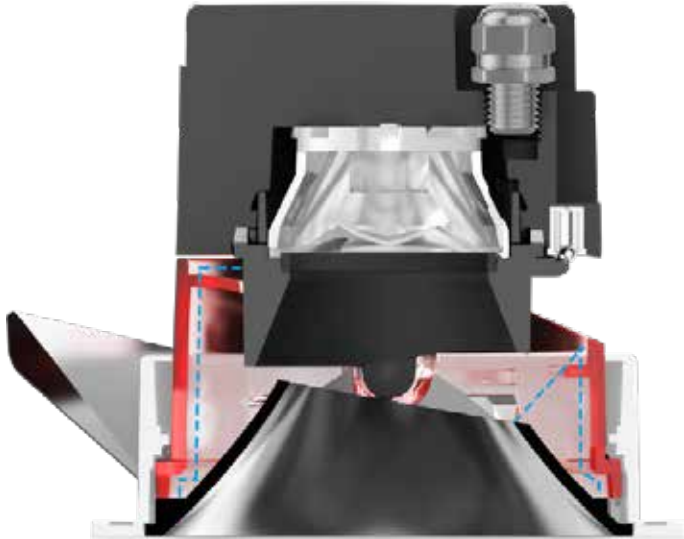
Direct







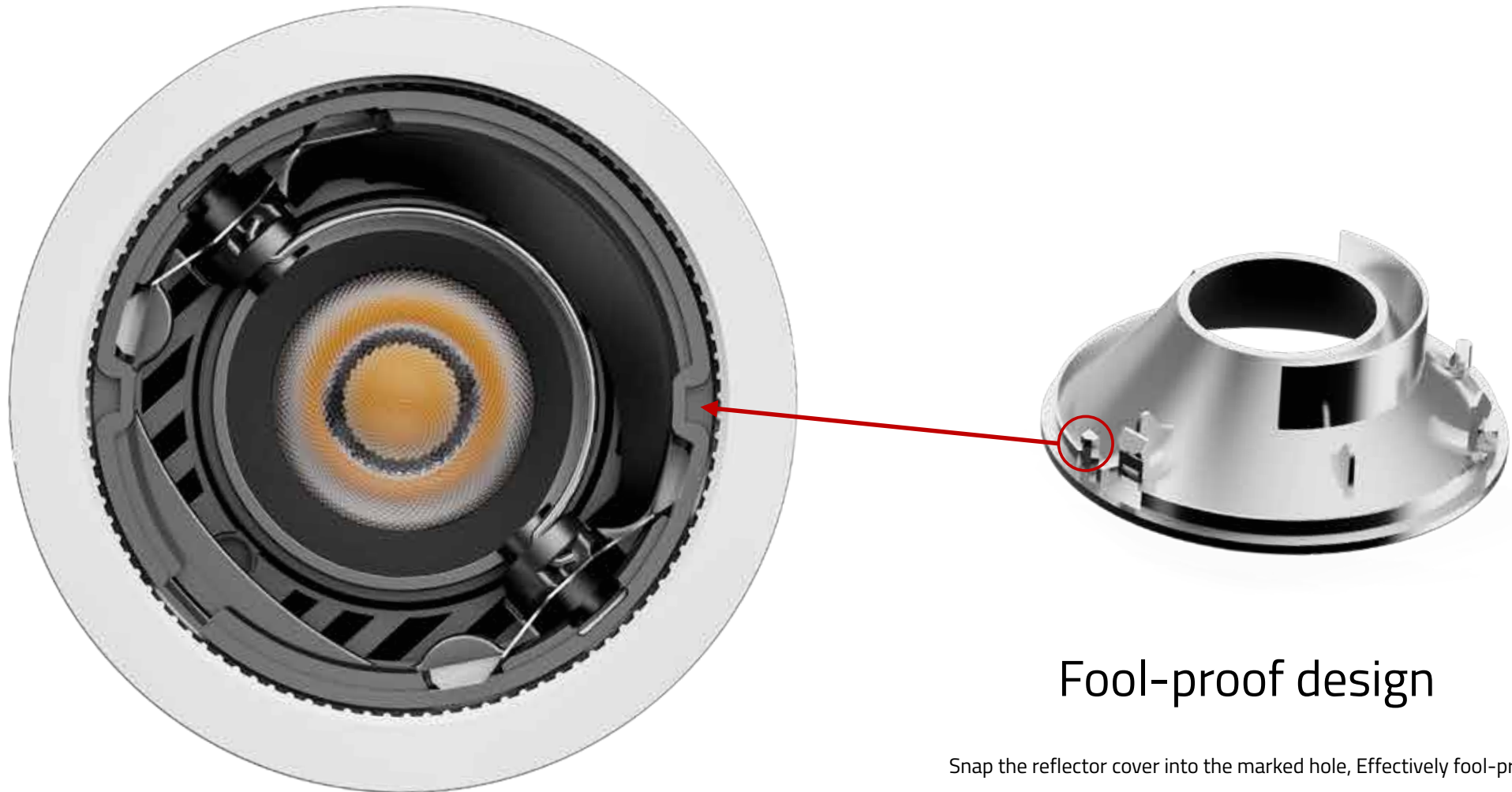
Radiator simulation



The red part is the adjustment middle ring, and light leakage prevention design show in the schematic diagram

Light leakage prevention design

Through the full surrounding middle ring design, The direct lighting or adjustable light of the lamp is completely leakage prevention design, and effectively block the dazzling stray light and residual light



Fool-proof design

Snap the reflector cover into the marked hole, Effectively fool-proof

CASTLLER new upgrade



Take out reflector cover



2

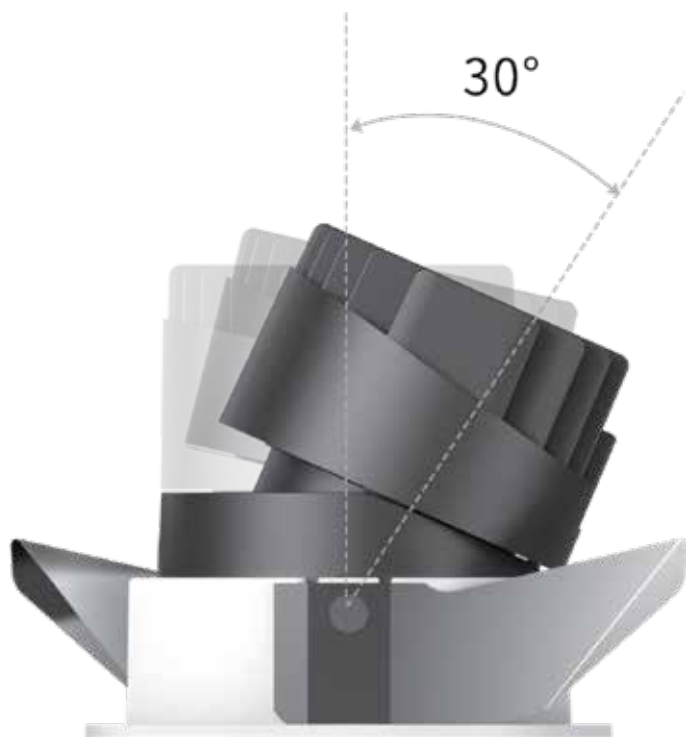
Rotatable adjustment

3

Pull out the module

Unique Pull handle design

Pull ring design, convenient
for tank adjustment and disassembly



0~30°

Stepless regulation 0~30° at any angle



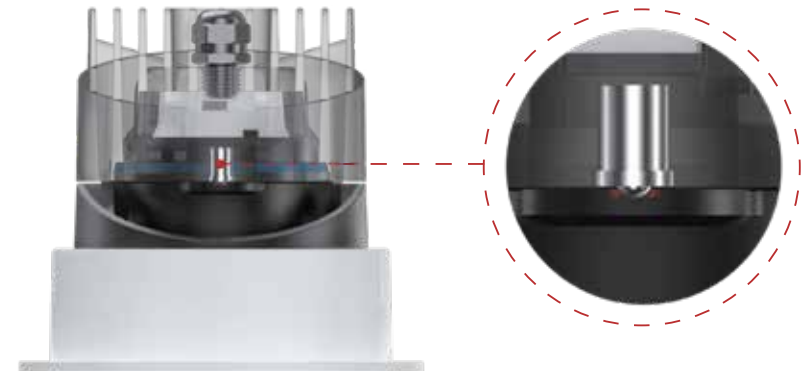
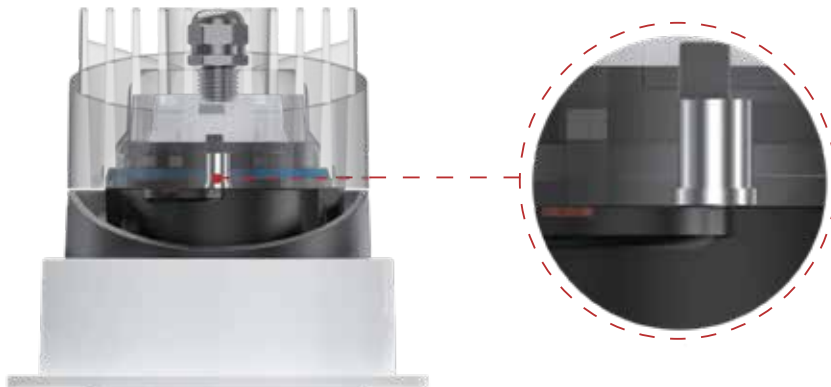
355°

Positioning groove 355° Horizontal rotation

Horizontal rotation of 355°, with positioning point, damping to Fool-proof and prevent winding.

PINBALL+SILICONE RING

After rotating the front ring to the correct position, the metal pinball will automatically pop out into the groove, fasten the heatsink, and play a double-layer shockproof role with the silicone ring.



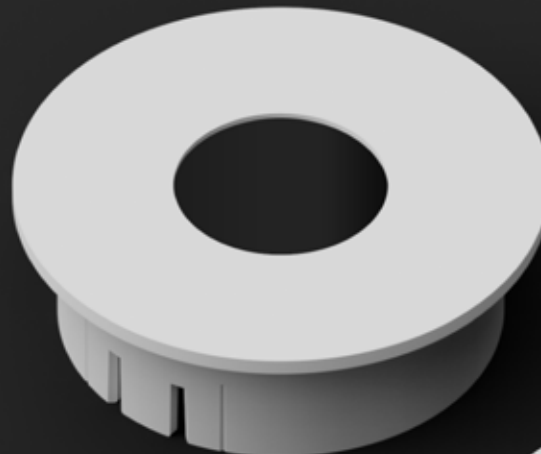
Note: The red part indicates the groove, and the blue part indicates the silicone ring

Frame

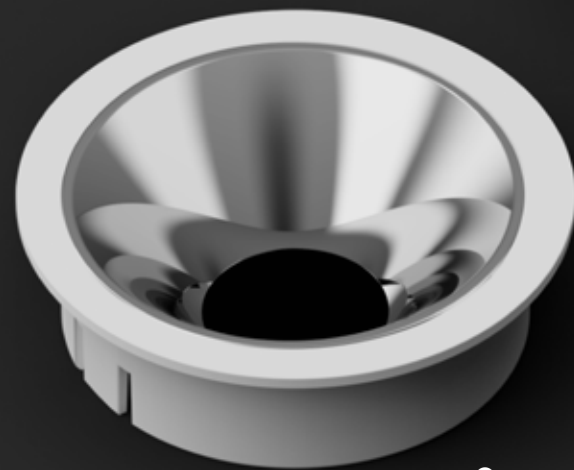
Frame: Frame with edge, Frame trimless, and Round beam
(Metal seamless)



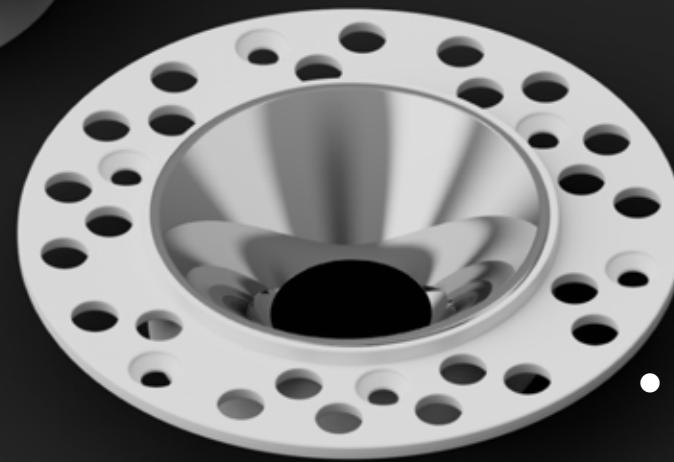
● Previous generation Round beam frame with gaps



● Round beam frame (Metal seamless) eliminating the common frame with gaps



● Frame with edge



● Integrated Trimless

CASTLLER new upgrade



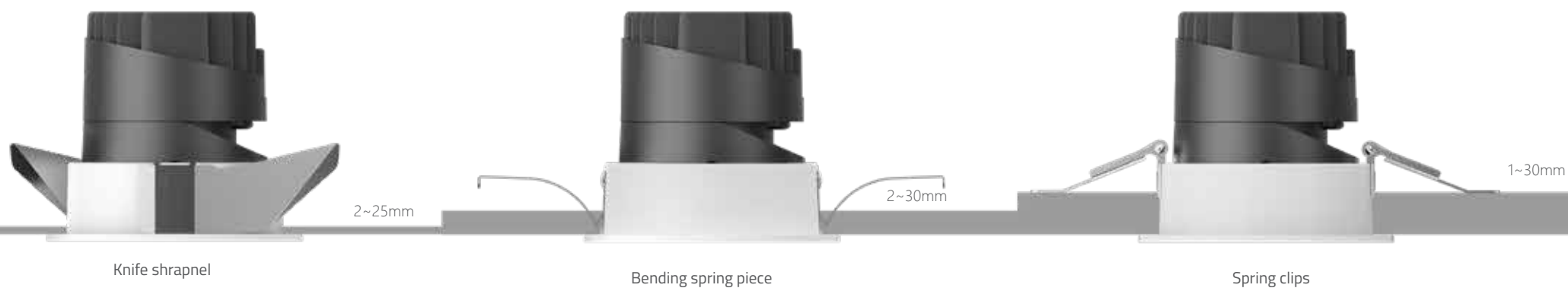
Everything Circular / Square / brimless

4 variety of styles and lighting effects can be selected according to the lighting effect and surface ring. Each face ring has its own unique light effect



Spring

A variety of springs are available for quick installation,
suitable for various ceiling thicknesses



CASTLLER new upgrade

Available in 6 colors Suitable for different decoration environments

The reflector is precisely designed with electroplating (anti UV) and nano paint technology, which is suitable for different soft decoration environments



Misty silver



Matt white



Mirror light color



Champagne gold



Electroplated chrome black



Matt Black

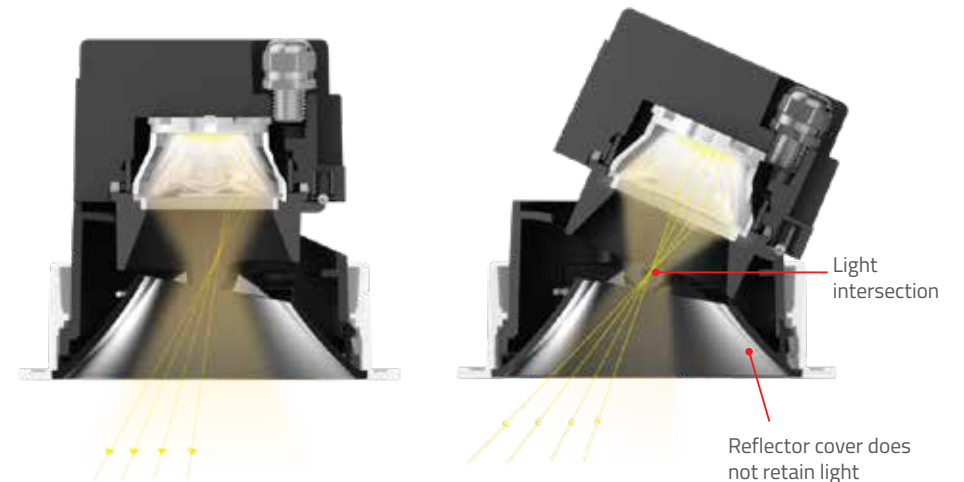
PMMA high luminous rate Ribbed structure lens

The ribbed structure design is adopted, with its own anti glare effect, so that the light is interwoven at the center of the upper end of the reflector, effectively reducing stray light, and the light spot transition is even, more soft and comfortable



Integrated narrow edge

Integrated trimless



CASTLLER new upgrade



No stray light, Round spot

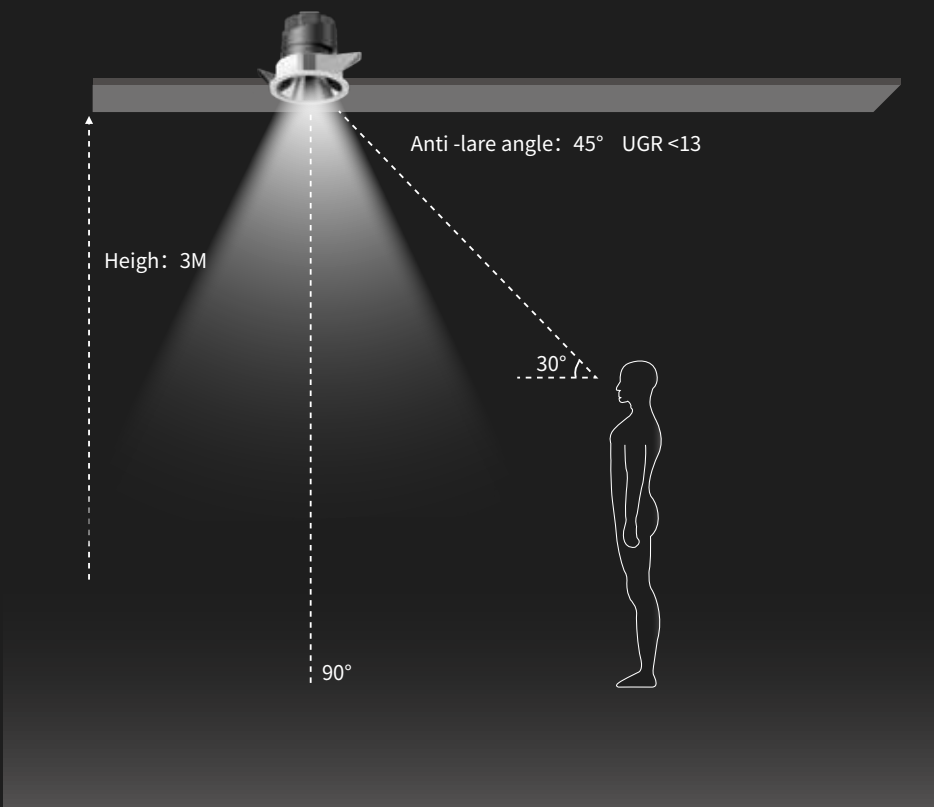
No secondary light spot, pure and clear, uniform light spot transition, more soft and comfortable

Light spot effect

8°	12°	15°	24°	36°	55°

Deep Anti-Glare

In general, the horizontal view of human activities in space is 30 degrees, so the anti glare shielding of spotlights should be more than 30 degrees to effectively prevent glare



Practical application lighting effect



Fixed ground lighting effect



Adjustable wall lighting effect

Power:8W

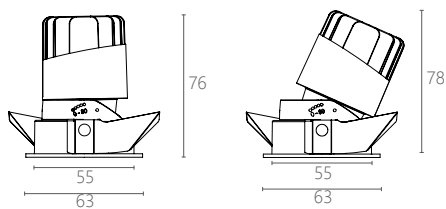
Power:8W



CASTLLER round Edged

NEW

Model: CA-100301E55
 Power: 8W
 Beam angle: 15° / 24° / 36° / 55°
 Cutout: Ø55mm
 Size(WxH): Ø63x76mm / Ø63x78mm
 Standard holder: **CREE** 1304



Adjustable
 CA-100302E55



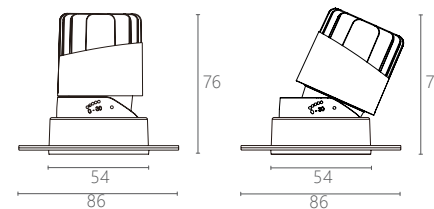
Round beam
 CA-100303E55



Holistic Trimless Fixed

NEW

Model: CA-100301T55-YT
 Power: 8W
 Beam angle: 15° / 24° / 36° / 55°
 Cutout: Ø55mm
 Size(WxH): Ø86x76mm / Ø86x78mm
 Standard holder: **CREE** 1304



Adjustable
 CA-100302T55-YT



Holistic Trimless Round beam
 CA-100303T55-YT

Reflector cover:



CASTLLER new upgrade

Power:8W/16W/24W

Power:8W/16W/24W



Square Edged single head



Square Edged double head



Square Edged three head



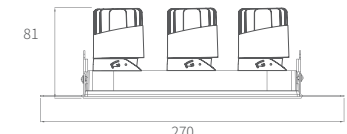
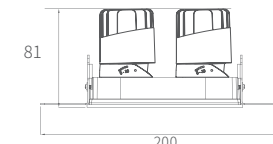
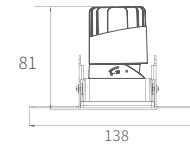
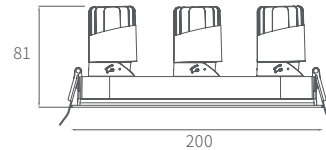
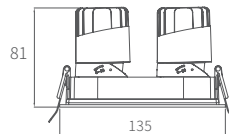
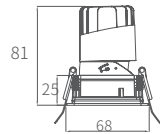
Square Trimless single head



Square Trimless double head



Square Trimless three head



NEW

Model: CA- 100302P55
Power: 8W
Beam angle: 15° / 24° / 36° / 55°
Cutout: 60X60 mm
Size(WxH): 68X68X81mm

Standard holder: **CREE** 1304

NEW

Model: CA- 100302P55-2
Power: 2x8W
Beam angle: 15° / 24° / 36° / 55°
Cutout: 130X60mm
Size(WxH): 135X68X81mm

Standard holder: **CREE** 1304

NEW

Model: CA- 100302P55-3
Power: 3x8W
Beam angle: 15° / 24° / 36° / 55°
Cutout: 196x60mm
Size(WxH): 200X68X81mm

Standard holder: **CREE** 1304

NEW

Model: CA- 100302PT55
Power: 8W
Beam angle: 15° / 24° / 36° / 55°
Cutout: 62 X60 mm
Size(WxH): 138X68X81mm

Standard holder: **CREE** 1304

NEW

Model: CA- 100302PT55-2
Power: 2x8W
Beam angle: 15° / 24° / 36° / 55°
Cutout: 132X60mm
Size(WxH): 200X68X81mm

Standard holder: **CREE** 1304

NEW

Model: CA- 100302PT55-3
Power: 3x8W
Beam angle: 15° / 24° / 36° / 55°
Cutout: 198x60mm
Size(WxH): 270X68X81mm

Standard holder: **CREE** 1304

Reflector cover:



Power:10W

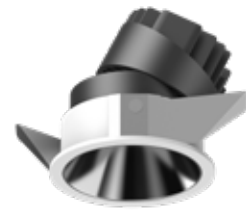
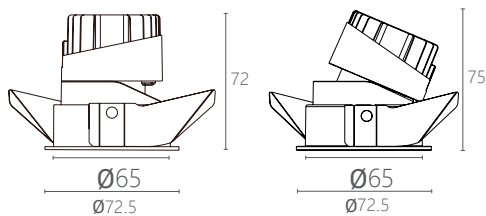
Power:10W



Round Edged

NEW

Model: CA-100301E65s-JS
 Power: 10W
 Beam angle: 15° / 24° / 36° / 55°
 Cutout: Ø65mm
 Size(WxH): Ø72.5x72mm / Ø72.5x75mm
 Standard holder: **CREE** 1304



Adjustable
 CA-100302E65s-JS



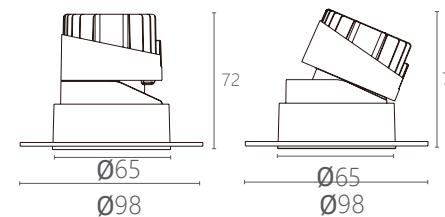
Round beam
 CA-100303E65s-JS



Holistic Trimless Fixed

NEW

Model: CA-100301T65s-YT-JS
 Power: 10W
 Beam angle: 15° / 24° / 36° / 55°
 Cutout: Ø65mm
 Size(WxH): Ø98x72mm / Ø98x75mm
 Standard holder: **CREE** 1304



Adjustable
 CA-100302T65s-YT-JS



Holistic Trimless Round beam
 CA-100303T65s-YT-JS

Reflector cover:



CASTLLER new upgrade

Power:12W

Power:12W



Round Edged

NEW

Model: CA-100301E75s-JS

Power: 12W

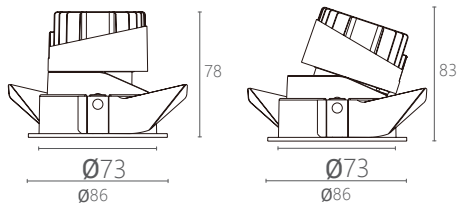
Beam angle: 10° / 15° / 24° / 36° / 55°

Cutout: Ø75mm

Size(WxH): Ø86x78mm/Ø86x83mm

Standard holder: **CREE** 1304

Optional holder: **CREE** 1507



Adjustable

CA-100302E75s-JS



Round beam

CA-100303E75s-JS



Holistic Trimless Fixed

NEW

Model: CA-100301T75s-YT-JS

Power: 12W

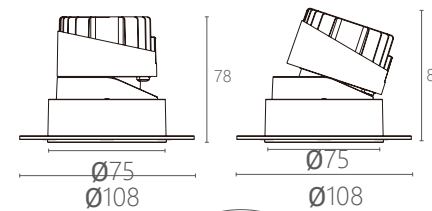
Beam angle: 10° / 15° / 24° / 36° / 55°

Cutout: Ø75mm

Size(WxH): Ø108x78mm/Ø108x83mm

Standard holder: **CREE** 1304

Optional holder: **CREE** 1507



Adjustable

CA-100302T75s-YT-JS



Holistic Trimless Round beam

CA-100303T75s-YT-JS

Reflector cover:



Power:12W

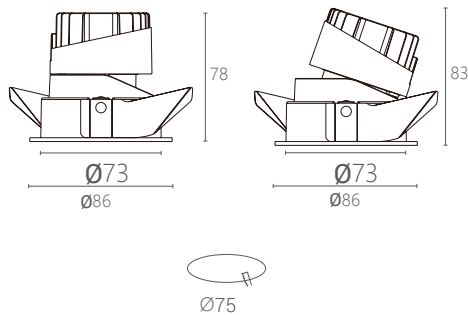
Power:12W



Round Edged

NEW

Model: CA-100301T75s-JS
 Power: 12W
 Beam angle: 10° / 15° / 24° / 36° / 55°
 Cutout: Ø75mm
 Size(WxH): Ø86x78mm / Ø86x83mm
 Standard holder: **CREE** 1304
 Optional holder: **CREE** 1507



Adjustable

CA-100302T75s-JS



Round beam

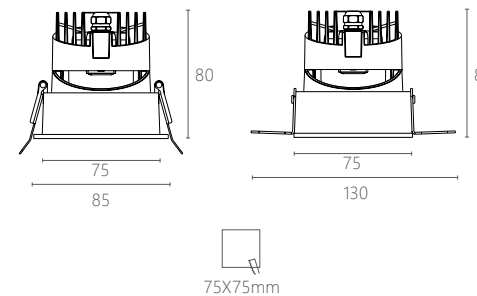
CA-100303T75s-JS



Square Fixed single head

NEW

Model: CA-100301P75S-JS
 Power: 12W
 Beam angle: 10° / 15° / 24° / 36° / 55°
 Cutout: 75mm
 Size(WxH): 85x80mm / 130x80mm
 Standard holder: **CREE** 1304
 Optional holder: **CREE** 1507



Adjustable

CA-100302P75s-JS



Trimless Fixed

CA-100301PT75s-JS



Trimless Adjustable

CA-100302PT75s-JS

Reflector cover:



CASTLLER new upgrade

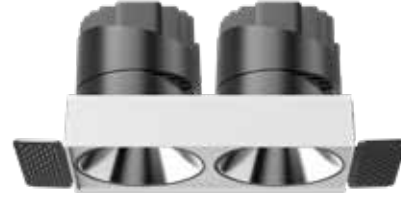
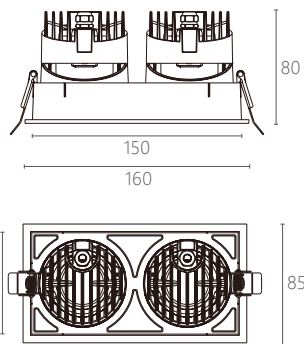
Power:2X12W



Double head

NEW

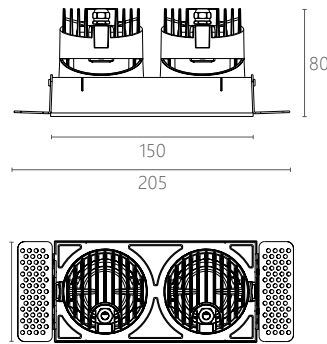
Model: CA-100302P75S-JS-2
 Power: 12Wx2
 Beam angle: 10° / 15° / 24° / 36° / 55°
 Cutout: 75x150mm
 Size(WxH): 160x85xH80mm
 Standard holder: **CREE** 1304
 Optional holder: **CREE** 1507



Double head Trimless

NEW

Model: CA-100302PT75S-JS-2
 Power: 12Wx2
 Beam angle: 10° / 15° / 24° / 36° / 55°
 Cutout: 75x150mm
 Size(WxH): 205x75xH80mm
 Standard holder: **CREE** 1304
 Optional holder: **CREE** 1507



Reflector cover:



CASTLLER new upgrade

CASTLLER mini



CASTLLER new upgrade

Power:8W

Power:8W



CASTLLER round Edged



Adjustable



CASTLLER round Edged



Adjustable

NEW

Model: CAM-100301E55
 Power: 10W
 Beam angle: 15° / 24° / 36° / 55°
 Cutout: Ø55mm
 Size(WxH): Ø82x62mm / Ø82x67mm / Ø82x90mm
 Standard holder: **CREE** 1304

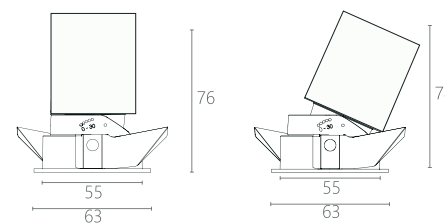
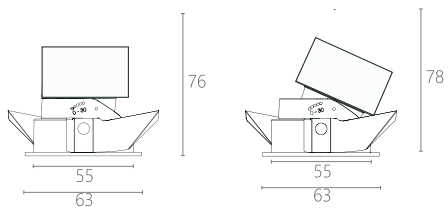
CA-100302E55



NEW

Model: CA-100301T55-YT
 Power: 8W
 Beam angle: 15° / 24° / 36° / 55°
 Cutout: Ø55mm
 Size(WxH): Ø86x76mm / Ø86x78mm
 Standard holder: **CREE** 1304

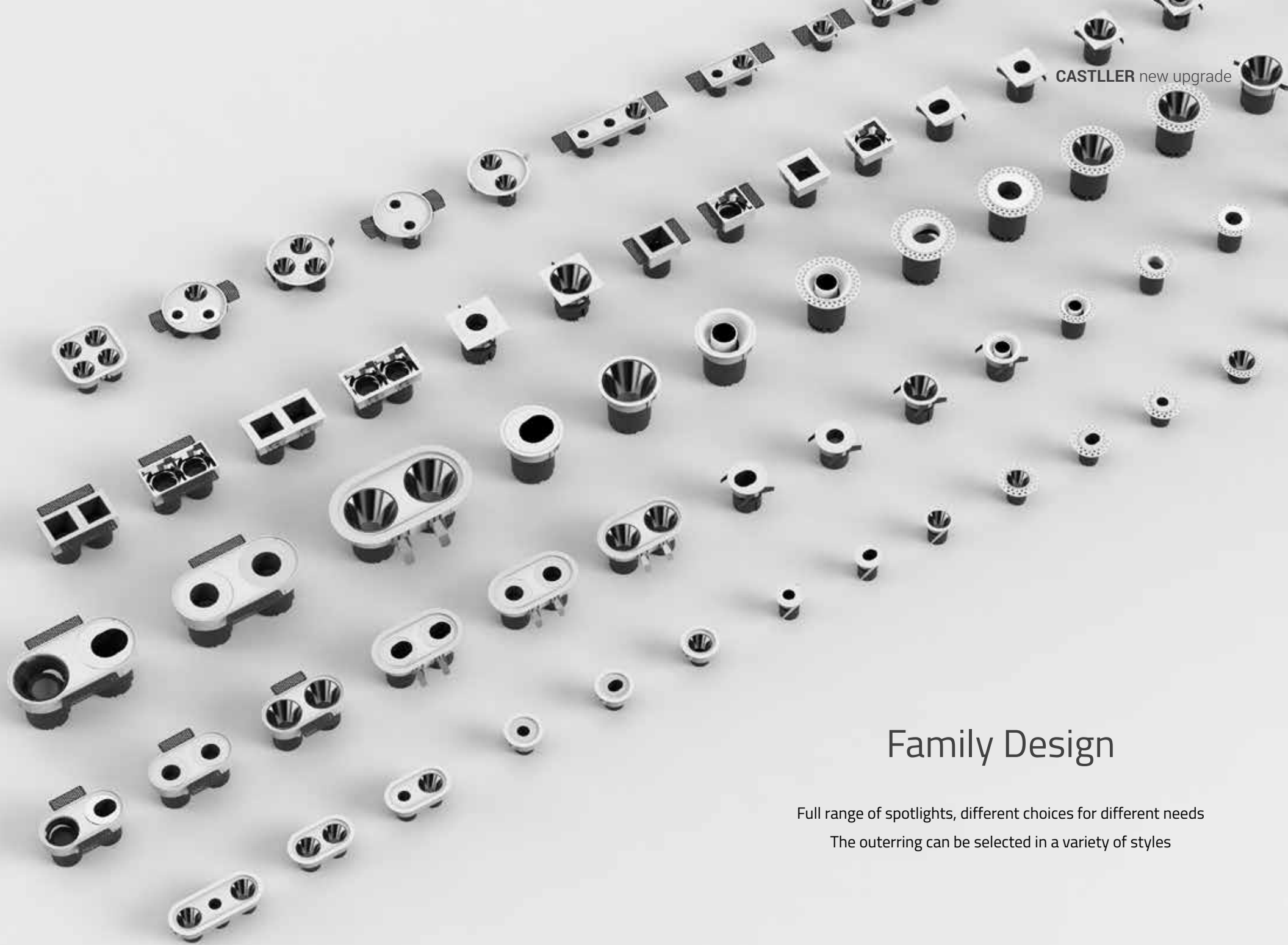
CA-100302T55-YT



Reflector cover :

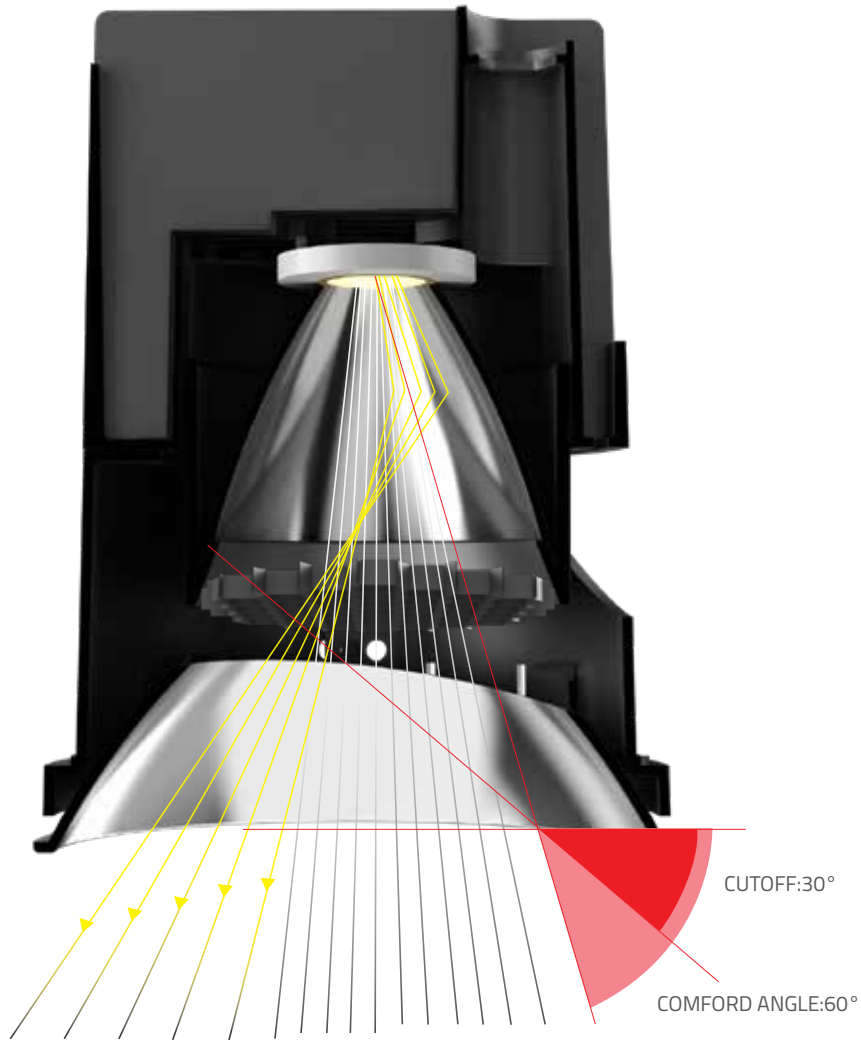


CASTLLER new upgrade



Family Design

Full range of spotlights, different choices for different needs
The outerring can be selected in a variety of styles

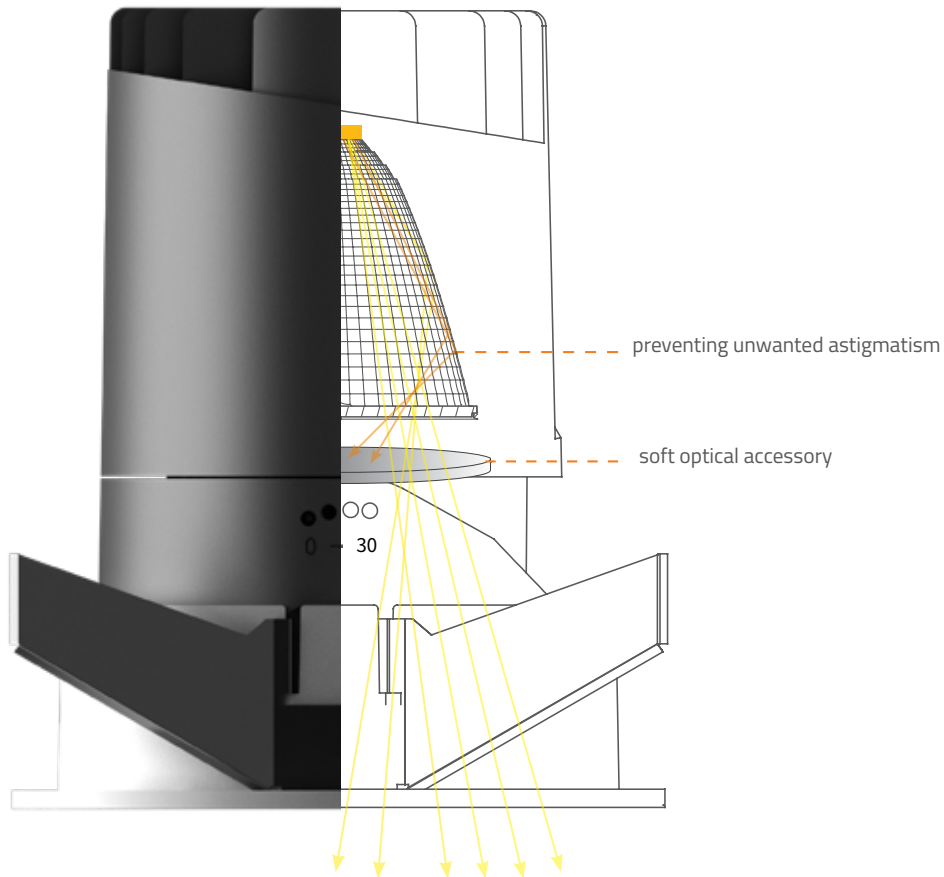


Dark light technology

Deep reflection cup, UGR < 16

Lengthen the distance between the light source and the light outlet and improve the anti glare performance

The light is filtered by reflective cup and anti glare honeycomb to effectively reduce excess light beams



Antiglare fittings

Create a soft atmosphere and split the light source into small beams by match soft optical accessories

Reducing glare , provides a balance and soft light environment.
different luminous effects provide by different soft optical accessory.



Frosted PC



Striped PC



Diamond PC



Honey Comb



PC glass

24° beam angle



Frosted PC

Frosted glass filters out soft light and further strengthens the diffusion effect of light, so as to reduce the possibility of glare and provide a uniform and soft light environment.



Diamond PC

Square light spot, through atomization or diffusion, makes the light diffuse evenly and softer, so as to reduce the stimulation of lamps to human eyes, achieve anti glare effect, and generally have the function of optical beam expansion.



Striped PC

The stretch pattern spot can be stretched laterally or linearly according to the direction. Its function is to pull the circular spot into an elliptical spot. It can concentrate the light spot in one direction, illuminate the area as wide as possible in that direction, and reduce the waste of light in other directions (mainly in the direction of the minor axis of the ellipse) (reduce stray light).



Honey Comb

Excessive soft light source effect of edge light and shade can effectively prevent excess astigmatism and allow direct light to pass through, so as to prevent glare, protect eyes and prevent glare. UGR is less than 16.



Soft and colorful CRI>95

Ultra high color rendering, let the object show the original color

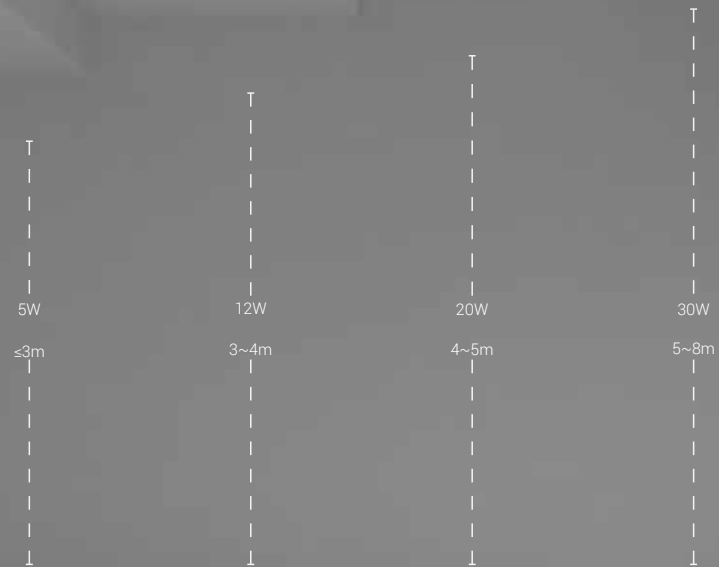
Soft light and shadow, overflowing color

Deduce the real light effect environment



Anti glare effect

CASTLLER new upgrade



Anti glare soft light
ultimate light effect

Anti dazzle soft light

Series coverage 5W / 12W / 20W / 30W

Suitable floor height 3M ~ 8M

Precise control of light

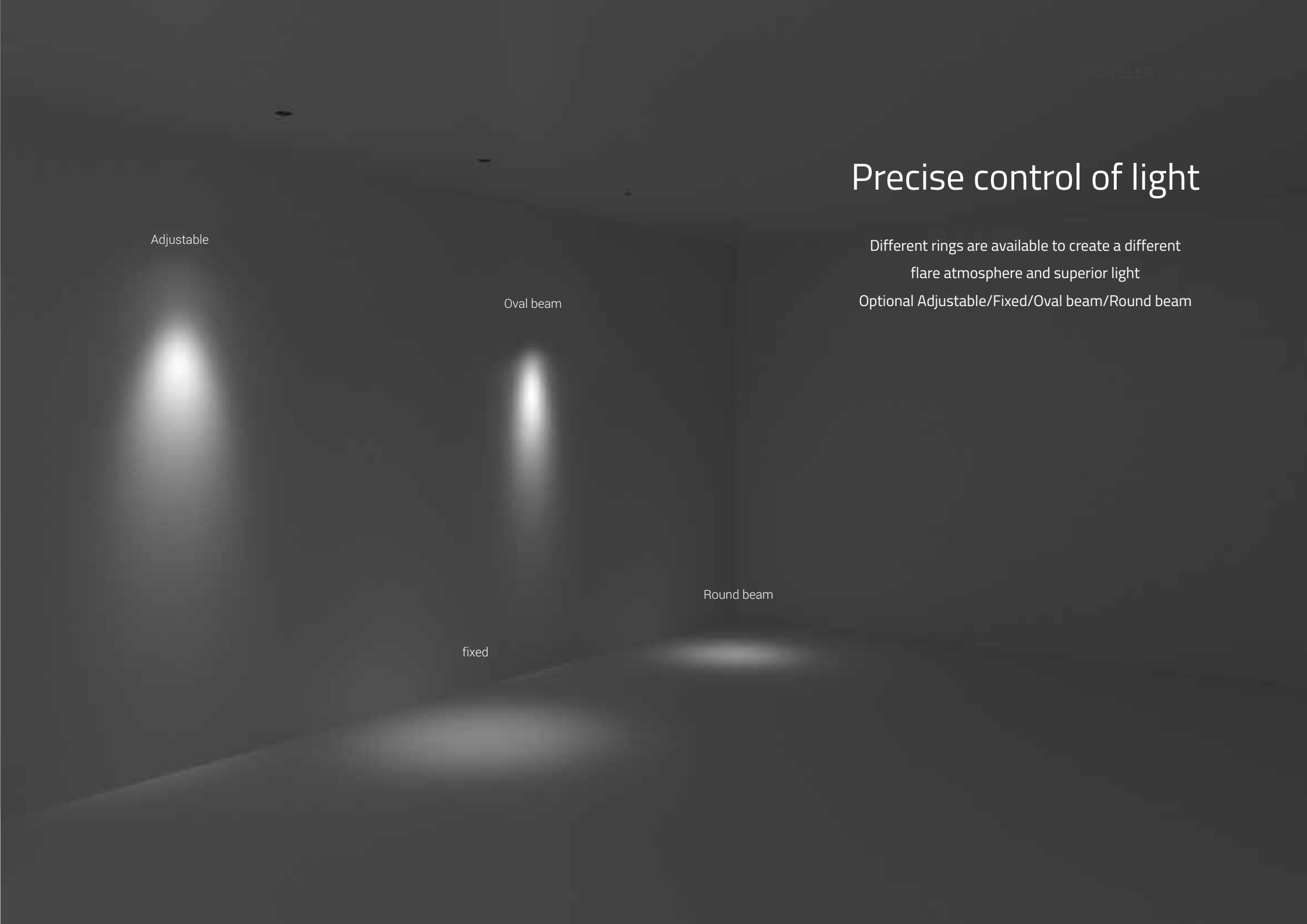
Adjustable

Oval beam

Round beam

fixed

Different rings are available to create a different flare atmosphere and superior light
Optional Adjustable/Fixed/Oval beam/Round beam

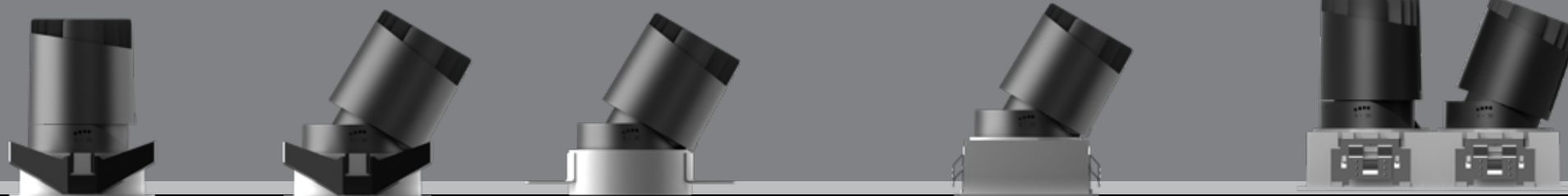


CASTLLER new upgrade



Everything Circular / Square / brimless

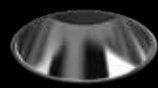
A variety of styles and lighting effects can be selected according to the lighting effect and surface ring. Each face ring has its own unique light effect



Fixed



Adjustable



Trimless



square

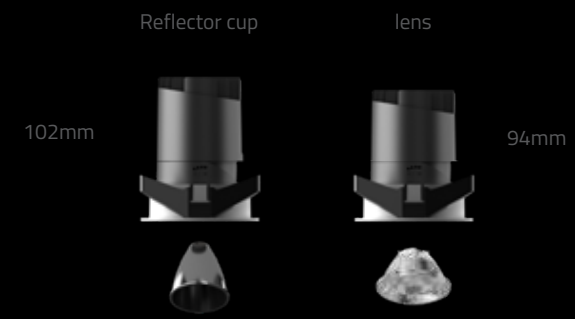


Double head

Multiple mounting structures

Fixed / Adjustable / Trimless

Reasonable installation structure
Keep the smallpox simple, natural and visual consistency



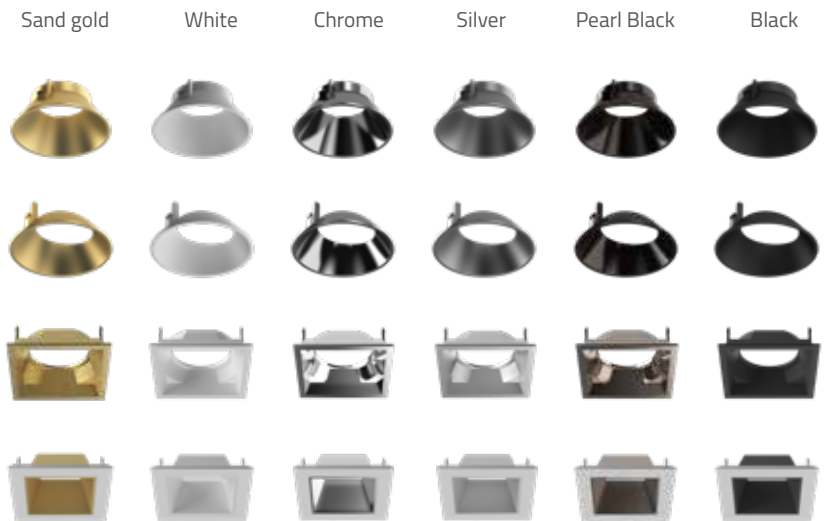
The 75mm opening specification can be selected with lens, and the whole lamp height is smaller, which is more suitable for the scene with low ceiling

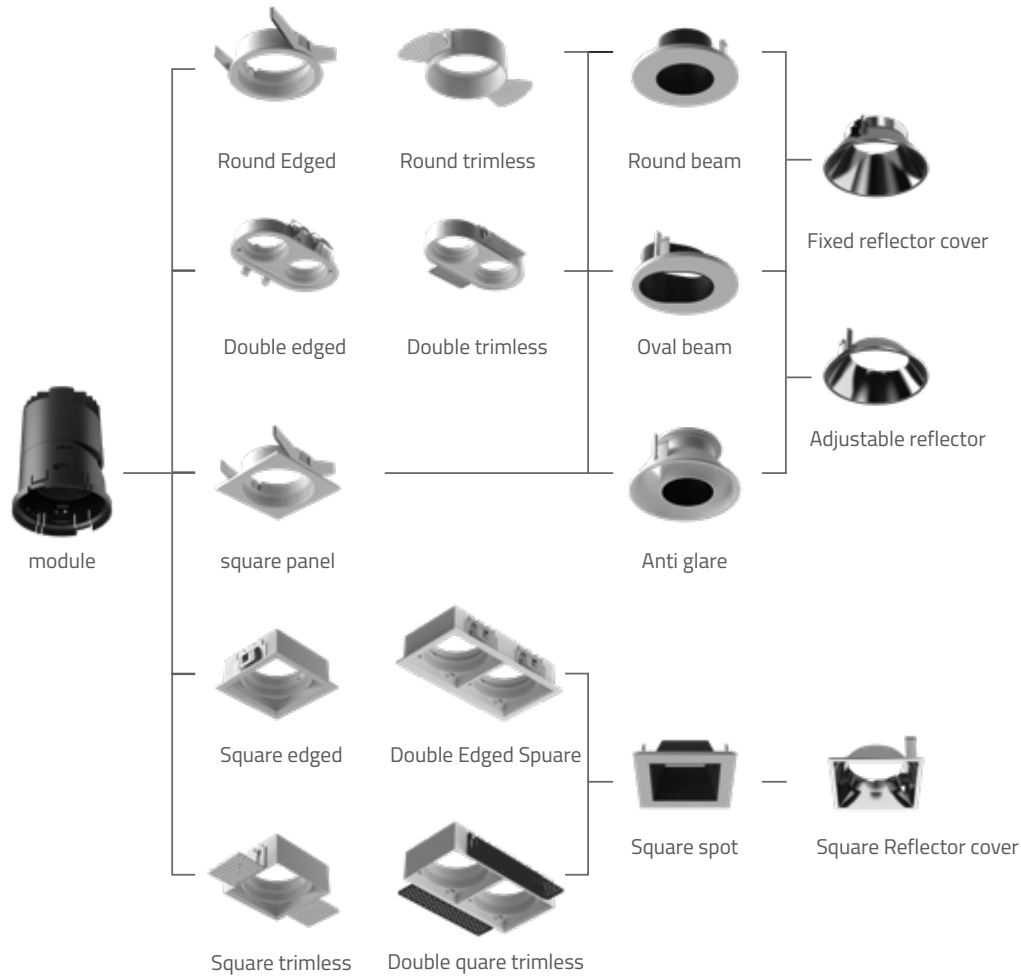
CASTLLER new upgrade



Beauty, more than one

The reflector is available in 6 colors to meet the needs of different occasions
The reflector is precisely designed, electroplated and nano spray painted
Comfortable light type with high reflection efficiency and high efficiency





Modularization

Independently designed product appearance

Snap on modular structure, easy and convenient installation and maintenance



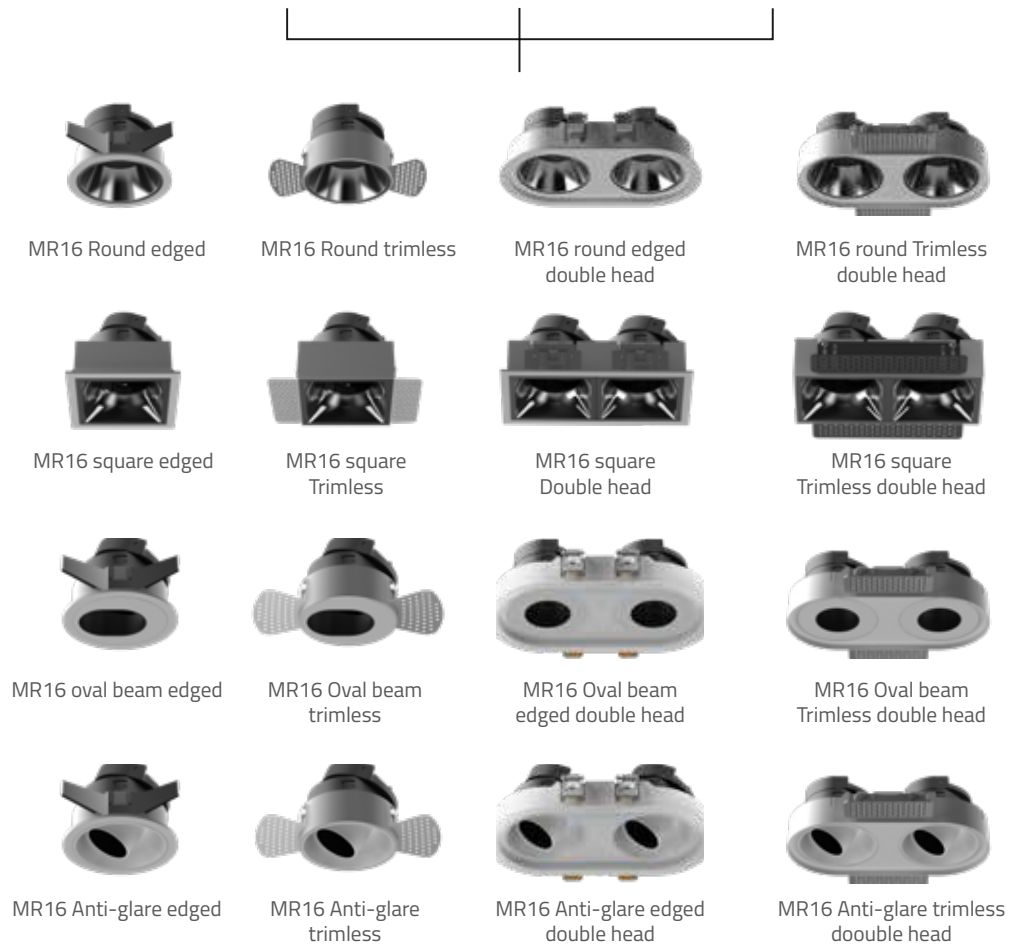
CASTLLER new upgrade

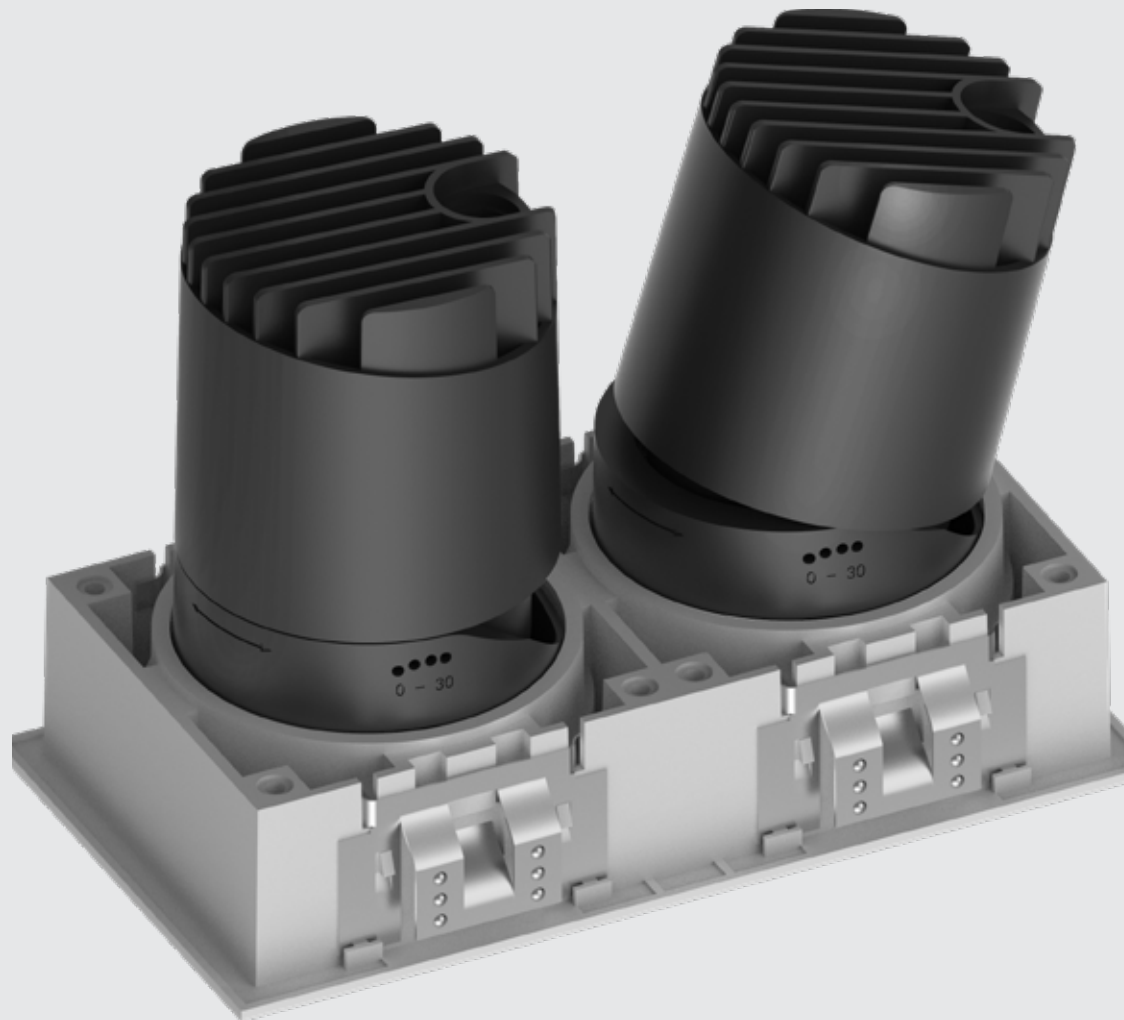


10W module

15W module

MR16

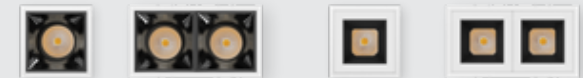




One piece face ring

Replace the new integrated surface ring to provide sufficient illumination for the high-rise space

Square face frame provides flexible lighting

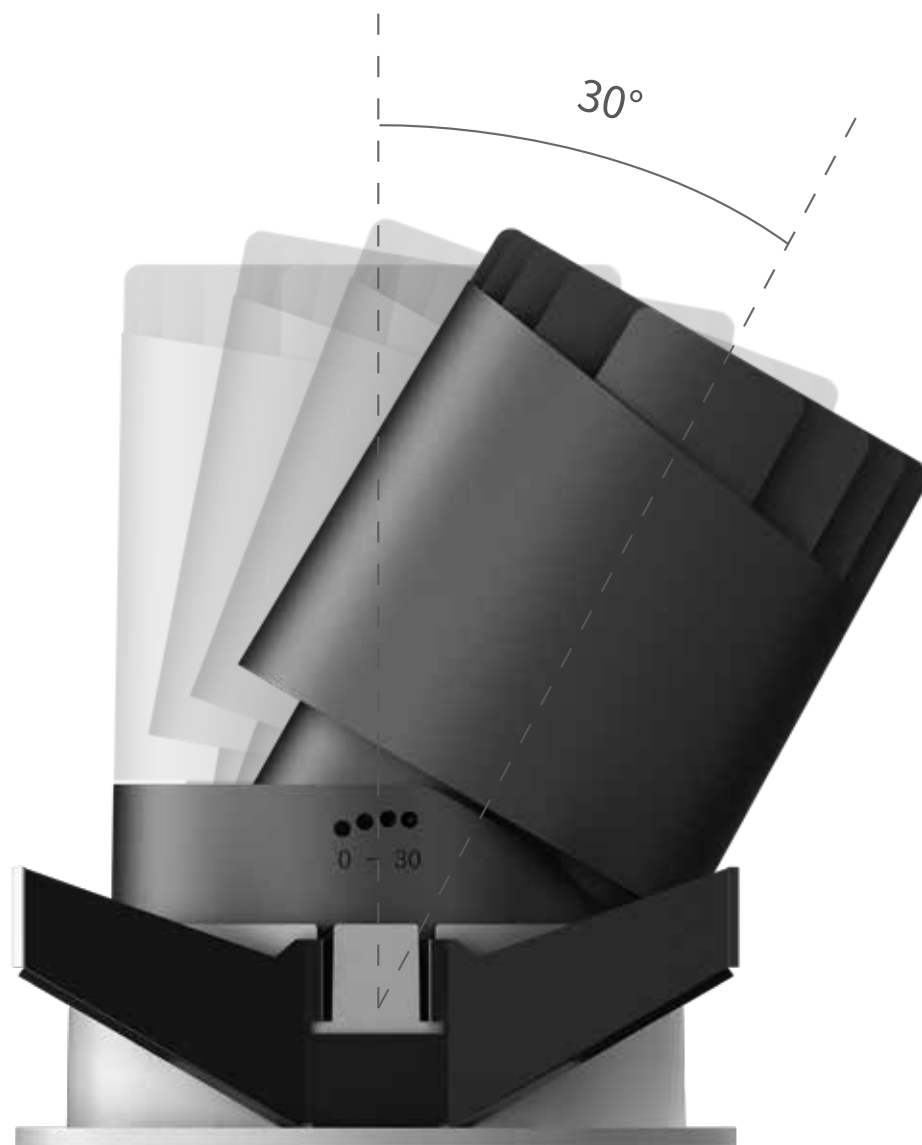


CASTLLER new upgrade



Split structure

Pre-Embedded design ,quick installation and easy maintenance
Innovative high - efficiency black mirror



Scale mark

Increase the rotation angle scale mark to tilt the lamp body to a maximum angle of 30 °

Easy switching between direct illumination mode / wall washing mode



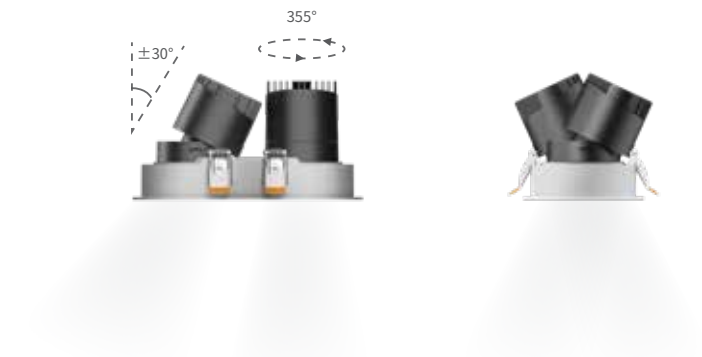
Locating groove

Rotate 355 ° horizontal , each rotation degree are just right
4-way tilt angle adjusted, positioning dots inside, and the resistance is just right
Accurate control of beam angle and spot effect,giving space more vivid emotions



Luminous efficiency

The lamp cap can rotate freely in all directions
Let the light move at will and maximize the value of light effect





1-30mm

Suitable for a variety of plate thickness

Quick tightening of screws, easy installation
Suitable for various ceiling thicknesses up to 30mm



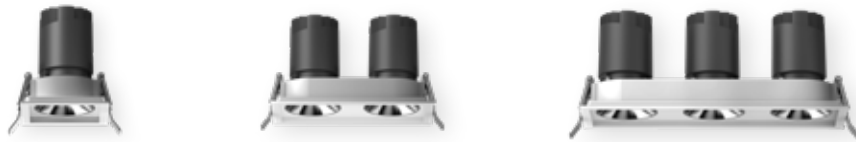
CASTLLER new upgrade



CASTLLER LIGHT

CASTLLER new upgrade

The new face frame adapts to various series



1+1>2



Free combination

Free collocation like building blocks, providing enough choices for more scenes
Multi head face box provides more matching ways.

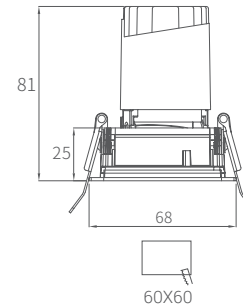
Reflect cover color choice :



Power: 6W/12W

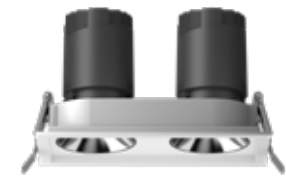


Square Edged single head

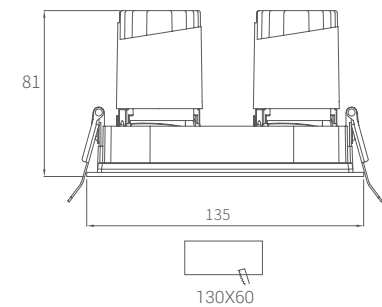


Model: CA-100302SE60
Power: 6W
Beam angle: 15°/ 24°/ 36°
Cutout: 60X60 mm
Size(WxH): 68X68X81mm

Standard holder: **CREE** 1304



Square Edged double head



Model: CA-100302SE60-2
Power: 2X6W
Beam angle: 15°/ 24°/ 36°
Cutout: 130X60mm
Size(WxH): 135X68X81mm

Standard holder: **CREE** 1304

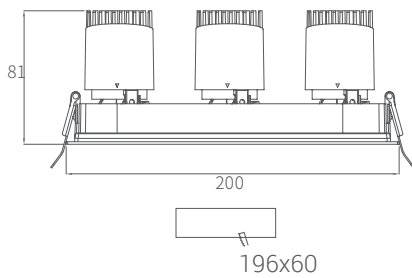


Power:18W/12W

Power:18W/6W



Square Edged three head

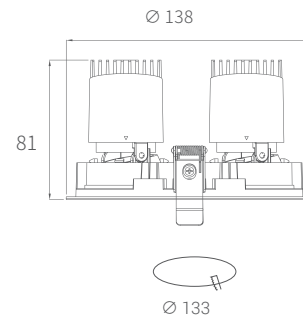


Model: CA-100302SE60-3
 Power: 3X6W
 Beam angle: 15°/ 24°/ 36°
 Cutout: 196x60mm
 Size(WxH): 200X68X81mm

Standard holder: **CREE** 1304



Circular Edged two head

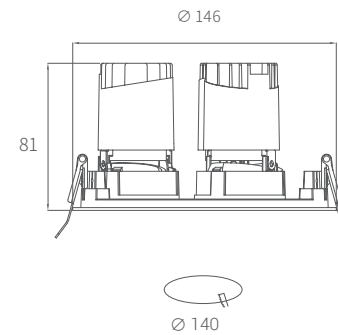


Model: CA-100302RE60-2
 Power: 2X6W
 Beam angle: 15°/ 24°/ 36°
 Cutout: Ø133mm
 Size(WxH): Ø138X81mm

Standard holder: **CREE** 1304



Circular Edged three head

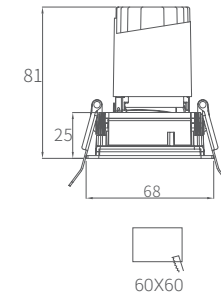


Model: CA-100302RE60-3
 Power: 3X6W
 Beam angle: 15°/ 24°/ 36°
 Cutout: Ø140mm
 Size(WxH): Ø146X81mm

Standard holder: **CREE** 1304



Square single head-Round beam



Model: CA-100303SE60
 Power: 6W
 Beam angle: 15°/ 24°/ 36°
 Cutout: 60X60mm
 Size(WxH): 68X68X81mm

Standard holder: **CREE** 1304

Reflect cover color choice :



CASTLLER new upgrade

Power:12W/18W

Power: 12W/18W



Square Edged double head-
Round beam



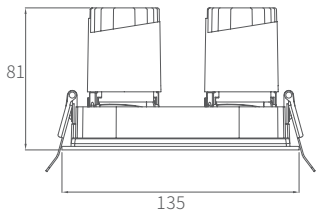
Square Edged three head



Circular Edged two head-
Round beam



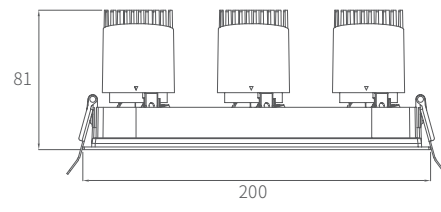
Circular Edged three head-
Round beam



135



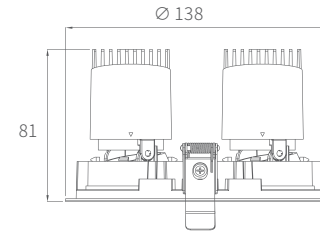
130X60



200



196X60

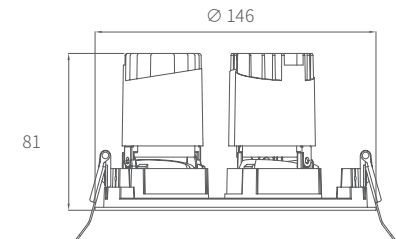


Ø 138

81



Ø 130



Ø 146

81



Ø 140

Model: CA-100303SE60-2
Power: 2X 6W
Beam angle: 15°/ 24°/ 36°
Cutout: 130X60mm
Size(WxH): 135X68X81mm

Standard holder: **CREE** 1304

Model: CA-100303SE60-3
Power: 3X6W
Beam angle: 15°/ 24°/ 36°
Cutout: 196X60mm
Size(WxH): 200X68X81mm

Standard holder: **CREE** 1304

Model: CA-100303RE60-2
Power: 2X6W
Beam angle: 15°/ 24°/ 36°
Cutout: Ø130mm
Size(WxH): Ø138X81mm

Standard holder: **CREE** 1304

Model: CA-100303RE60-3
Power: 3X6W
Beam angle: 15°/ 24°/ 36°
Cutout: Ø140mm
Size(WxH): Ø146X81mm

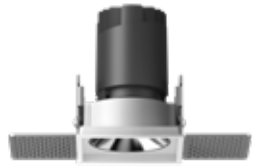
Standard holder: **CREE** 1304

Reflect cover color choice :



Power:6W/12W

Power:18W12W

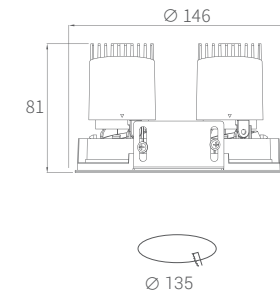
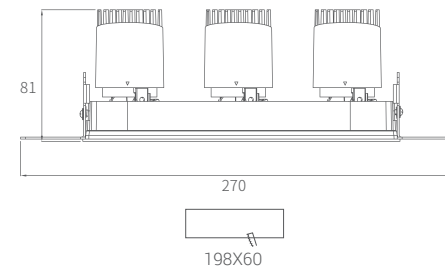
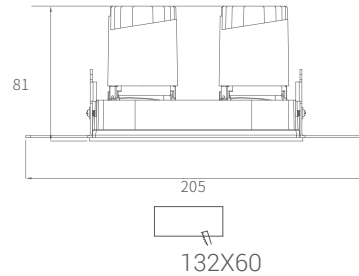
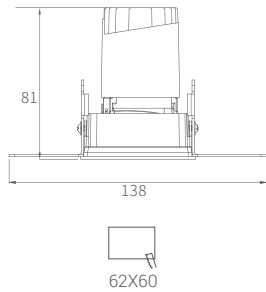


Square Trimless single head

Square Trimless double head

Square Trimless three head

Circular Trimless two head



Model: CA-100302ST60
 Power: 6W
 Beam angle: 15°/ 24°/ 36°
 Cutout: 62X60mm
 Size(WxH): 138X68X81mm

Model: CA-100302ST60-2
 Power: 2X6W
 Beam angle: 15°/ 24°/ 36°
 Cutout: 132X60mm
 Size(WxH): 205X68X81mm

Model: CA-100302ST60-3
 Power: 3X6W
 Beam angle: 15°/ 24°/ 36°
 Cutout: 198X60mm
 Size(WxH): 270X68X81mm

Model: CA-100302RT60-2
 Power: 2X6W
 Beam angle: 15°/ 24°/ 36°
 Built-in Cutout: Ø130mm
 External Cutout: Ø137mm
 Size(WxH): Ø146X81mm

Standard holder: **CREE** 1304

Standard holder: **CREE** 1304

Standard holder: **CREE** 1304

Standard holder: **CREE** 1304

Reflect cover color choice :

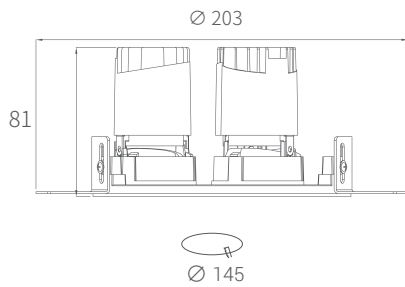


CASTLLER new upgrade

Power:18W



Circular Trimless three head



Model: CA-100302RT60-3

Power: 3X6W

Beam angle: 15°/ 24°/ 36°

Built-in Cutout: Ø140mm

External Cutout: Ø147mm

Size(WxH): Ø203X81mm

Standard holder: **CREE** 1304

Reflect cover color choice :



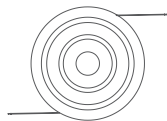
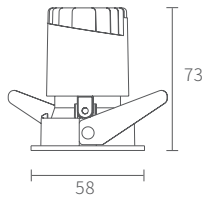
IP40





Fixed

Model: CA-100301E50
Power: 6W
Beam angle: 15°/24° / 36°
Cutout: Ø50mm
Size(WxLxH): 58x73mm
Standard holder: **CREE** 1304



Ø50mm

Power:6W



Adjustable

CA-100B02E50



round beam

CA-100303E50



Oval beam

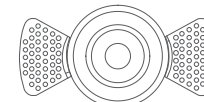
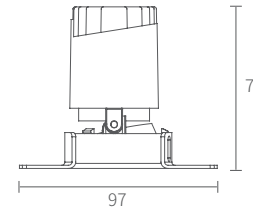
CA-100304E50

Power: 6W



Trimless Fixed

Model: CA-100301T50
Power: 6W
Beam angle: 15°/ 24° / 36°
Cutout: Ø52mm
Size(WxLxH): 97x73mm
Standard holder: **CREE** 1304



Ø52mm

CASTLLER new upgrade



Trimless Adjustable

CA-100B02T50



Trimless Round beam

CA-100303T50



Trimless Oval beam

CA-100304T50

Reflect cover color choice :



CASTLLER new upgrade

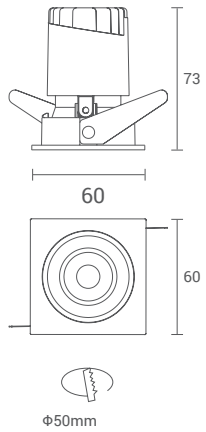
Power:6W

Power: 6W



Fixed

Model: CA-100301P50
 Power: 6W
 Beam angle: 15° / 24° / 36°
 Cutout: Ø50mm
 Size(WxLxH): 60x60x73mm
 Standard holder: **CREE** 1304



Adjustable

CA-100302P50



round beam
CA-100303P50

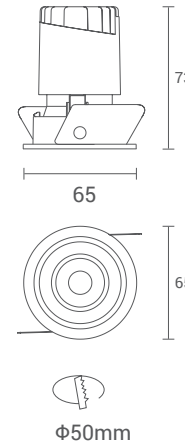


Oval beam
CA-100304P50



Trimless Fixed

Model: CA-100301E55
 Power: 6W
 Beam angle: 15° / 24° / 36°
 Cutout: Ø50mm
 Size(WxLxH): Ø65x73mm
 Standard holder: **CREE** 1304



Trimless Adjustable

CA-100302E55



Trimless Round beam
CA-100303E55



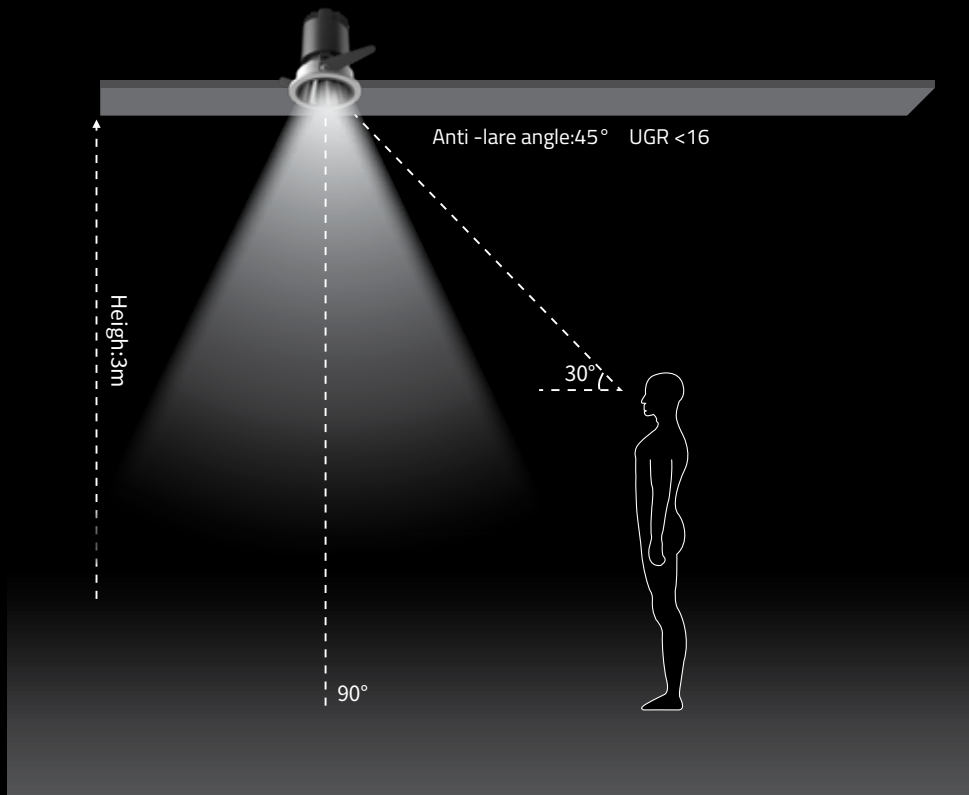
Trimless Oval beam
CA-100304E55

Reflect cover color choice :



Analysis of deep anti glare function

people's horizontal vision in space is 30°
 so the anti glare shielding of spotlight should be more than 30 degrees to
 effectively prevent glare



Practical application lighting effect



Fixed ground lighting effect



Adjustable wall lighting effect

CASTLLER new upgrade

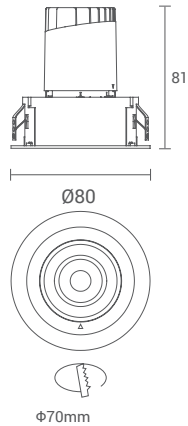
Power:6W

Power: 6W



Fixed

Model: CA-100301E70
 Power: 6W
 Beam angle: 15°/24°/36°
 Cutout: Ø70mm
 Size(WxH): Ø80x81mm
 Standard holder: **CREE** 1304



Adjustable
 CA-100302E70



round beam
 CA-100303E70

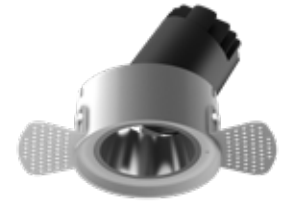
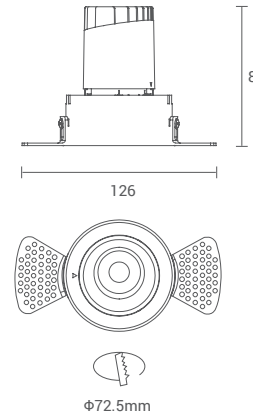


Oval beam
 CA-100304E70

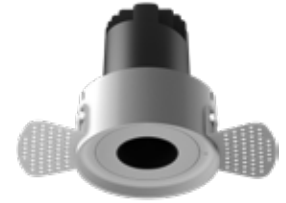


Trimless Fixed

Model: CA-100301T70
 Power: 6W
 Beam angle: 15°/24°/36°
 Cutout: Ø72.5mm
 Size(WxH): 126x81mm



Trimless Adjustable
 CA-100302T70



Trimless Round beam
 CA-100303T70



Trimless Oval beam
 CA-100304T70

Reflect cover color choice :



Power:6W



Holistic Trimless Fixed

Model: CA-100302T50-YT

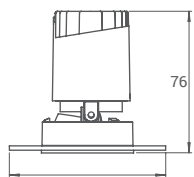
Power: 6W

Beam angle: 15°/24°/36°

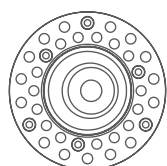
Cutout: Ø50mm

Size(WxH): Ø85x76mm

Standard holder: CREE 1304



Ø85



Φ50mm



Holistic Trimless Adjustable
CA-100302T50-YT



Holistic Trimless Round beam
CA-100303T50-YT



Holistic Trimless Oval beam
CA-100304T50-YT

Reflect cover color choice :



CASTLLER new upgrade

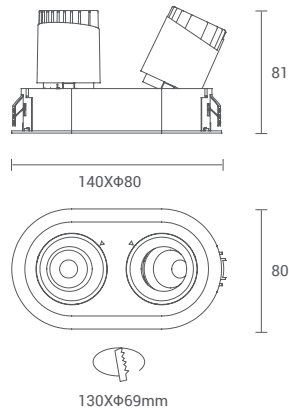
Power:2x6W

Power: 2x6W



Three head Adjustable

Model: CA-100302E70-2
 Power: 6Wx2
 Beam angle: 15°/24°/36°
 Cutout: 130xØ69mm
 Size(WxLxH): 140xØ80x81mm
 Standard holder: **CREE** 1304



Three head Fixed
 CA-100301E70-2



Three head round beam
 CA-100303E70-2

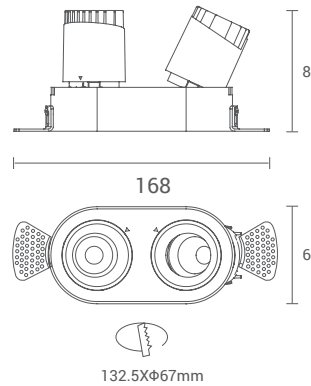


Three head Oval beam
 CA-100304E70-2



Three head Trimless Adjustable

Model: CA-100302T70-2
 Power: 6Wx2
 Beam angle: 15°/24°/36°
 Cutout: 132.5xØ67mm
 Size(WxLxH): 168x68x81mm
 Standard holder: **CREE** 1304



Three head Trimless Fixed
 CA-100301T70-2



Three head Trimless round beam
 CA-100303T70-2



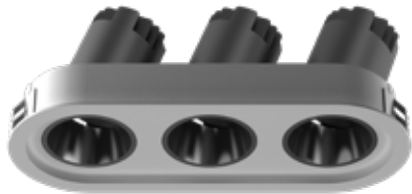
Three head Trimless Oval beam
 CA-100304T70-2

Reflect cover color choice :



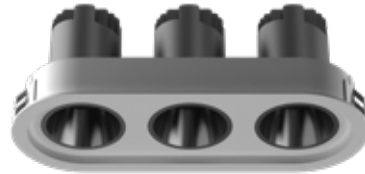
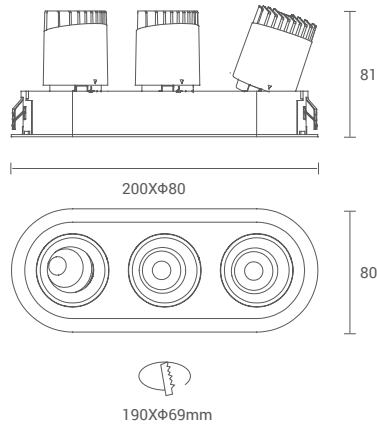
Power:3x6W

Power: 3x6W

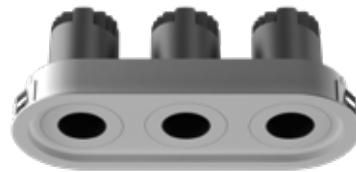


Four head Adjustable

Model: CA-100302E70-3
 Power: 6Wx3
 Beam angle: 15°/24°/36°
 Cutout: 190x Ø69mm
 Size(WxLxH): 200xØ80x81mm
 Standard holder: **CREE** 1304



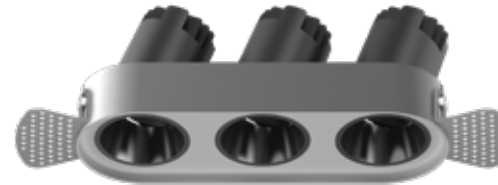
Four head Fixed
 CA-100301E70-3



Four head round beam
 CA-100303E70-3

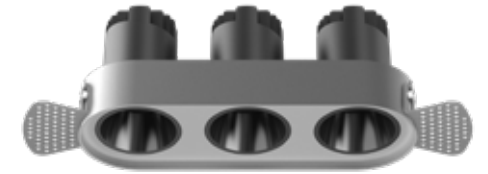
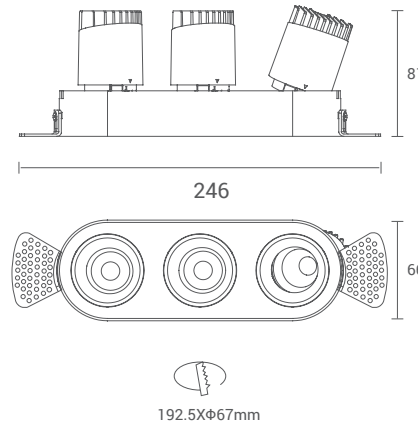


Four head Oval beam
 CA-100304E70-3

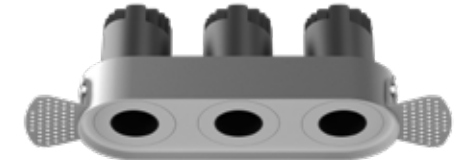


Four head Trimless Adjustable

Model: CA-100302T70-3
 Power: 6Wx3
 Beam angle: 15°/24°/36°
 Cutout: 192.5x Ø67mm
 Size(WxLxH): 246x66x81mm
 Standard holder: **CREE** 1304



Four head Trimless Fixed
 CA-100301T70-3



Four head Trimless round beam
 CA-100303T70-3



Four head Trimless Oval beam
 CA-100304T70-3

Reflect cover color choice :



CASTLLER new upgrade

Power: 4x6W

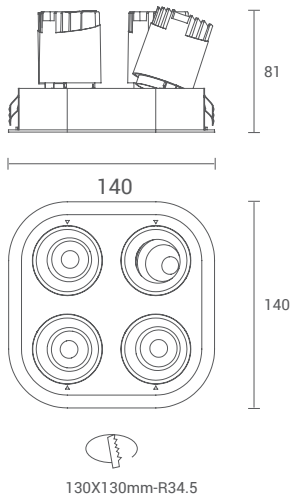
Power: 4x6W



Four head Adjustable

Model: CA-100302E70-4
 Power: 6Wx4
 Beam angle: 15°/24°/36°
 Cutout: 130x130mm-R34.5
 Size(WxLxH): 140x140x81mm

Standard holder: CREE 1304



Four head Fixed
 CA-100301E70-4



Four head round beam
 CA-100303E70-4



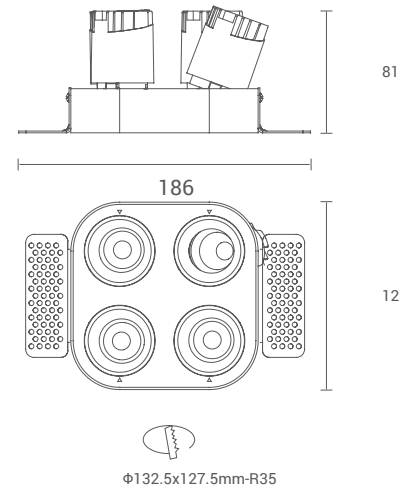
Four head Oval beam
 CA-100304E70-4



Four head Trimless Adjustable

Model: CA-100302T70-4
 Power: 6Wx4
 Beam angle: 15°/24°/36°
 Cutout: Ø132.5x127.5mm-R35
 Size(WxLxH): 186x126x81mm

Standard holder: CREE 1304



Four head Trimless Fixed
 CA-100301T70-4



Four head Trimless round beam
 CA-100303T70-4



Four head Trimless Oval beam
 CA-100304T70-4

Reflect cover color choice :



Power: 10W

Power: 10W



Model: CA-100302E65-10w(LENS)
 Power: 10W
 Beam angle: 10° /15° / 24° / 36° / 55°(LENS)
 Cutout: Ø65mm
 Size(WxH): Ø72.5x81mm

Standard holder: **CREE** 1304
 Optional holder: **CREE** 1507

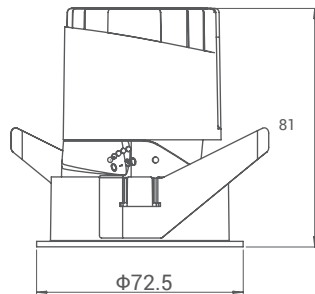
Adjustable



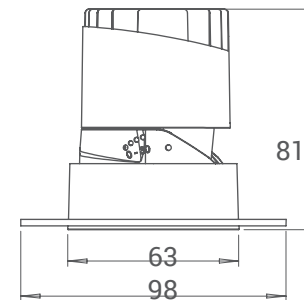
Model: CA-100302T65-YT-10W (LENS)
 Power: 10W
 Beam angle: 10° /15° / 24° / 36° / 55°(LENS)
 Cutout: Ø65mm
 Size(WxH): Ø98x81mm

Standard holder: **CREE** 1304
 Optional holder: **CREE** 1507

Trimless Adjustable



Ø65mm



Ø65mm

Reflect cover color choice :



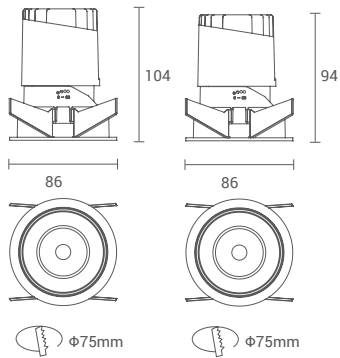
CASTLLER new upgrade



Fixed

Model: CA-100301E75/CA-100301E75-LENS
 Power: 12W
 Beam angle: 15°/24°/36°
 Beam angle(LENS): 10° /15° / 24° / 36° / 55°
 Cutout: Ø75mm
 Size(WxH): Ø86x104mm
 Size(WxH)(LENS): Ø86x94mm

Standard holder: **CREE** 1507
 Optional holder: **CREE** 1304
LUMINUS CXM-6/7/9



Power: 12W



Adjustable

CA-100302E75/CA-100302E75-LENS



Round beam

CA-100303E75/CA-100303E75-LENS



Oval beam

CA-100304E75/CA-100304E75-LENS



Anti-glare

CA-100305E75/CA-100305E75-LENS

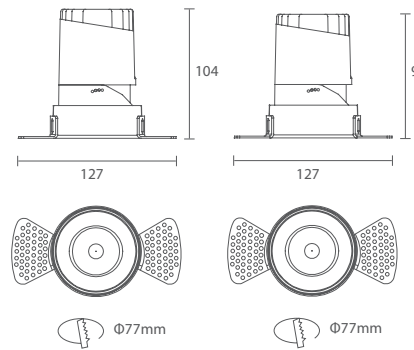
Power: 12W



Trimless Fixed

Model: CA-100301E75/CA-100301E75-LENS
 Power: 12W
 Beam angle: 15°/24°/36°
 Beam angle(LENS): 10° /15° / 24° / 36° / 55°
 Cutout: Ø77mm
 Size(WxH): Ø127x104mm
 Size(WxH)(LENS): Ø127x94mm

Standard holder: **CREE** 1507
 Optional holder: **CREE** 1304
LUMINUS CXM-6/7/9



Trimless Adjustable

CA-100302T75/CA-100302T75 - LENS



Trimless round beam

CA-100303T75/CA-100303T75 - LENS



Trimless Oval beam

CA-100304T75/CA-100304T75 - LENS



Trimless Anti-glare

CA-100305T75 /CA-100305T75 - LENS

Reflect cover color choice :

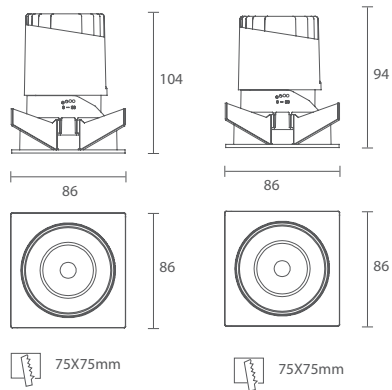




Fixed

Model: CA-100301P75/ CA-100301P75-LENS
 Power: 12W
 Beam angle: 15°/24°/36°
 Beam angle(LENS): 10° /15° / 24° / 36° / 55°
 Cutout: 75X75mm
 Size(WxLxH): 86x86x104mm
 Size(WxLxH)(LENS): 86x86x94mm

Standard holder: **CREE** 1507
 Optional holder: **CREE** 1304
LUMINUS CXM-6/7/9



Power: 12W



Adjustable

CA-100302P75/CA-100302P75-LENS



round beam

CA-100303P75/CA-100303P75-LENS



Oval beam

CA-100304P75/CA-100304P75-LENS



Anti-glare

CA-100305P75/CA-100305P75-LENS

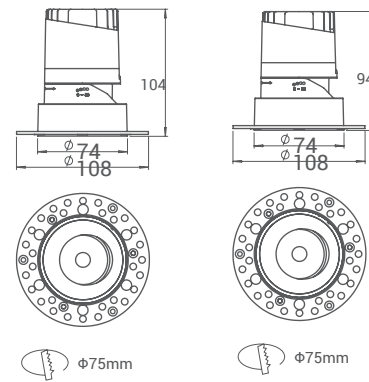
Power: 12W



Holistic Trimless Fixed

Model: CA-100301YT75/CA-100301YT75-LENS
 Power: 12W
 Beam angle: 15°/24°/36°
 Beam angle(LENS): 10° /15° / 24° / 36° / 55°
 Cutout: Ø75mm
 Size(WxH): Ø108x104mm
 Size(WxLxH)(LENS): Ø108x94mm

Standard holder: **CREE** 1507
 Optional holder: **CREE** 1304
LUMINUS CXM-6/7/9



CASTLLER new upgrade



Holistic Trimless Adjustable

CA-100302YT75 /CA-100302YT75 -LENS



Holistic Trimless round beam

CA-100303YT75 /CA-100303YT75 -LENS



Holistic Trimless Oval beam

CA-100304YT75 /CA-100304YT75 -LENS



Holistic Trimless Anti-glare

CA-100305YT75 /CA-100305YT75 -LENS

Reflect cover color choice :



CASTLLER new upgrade

Power: 2x12W

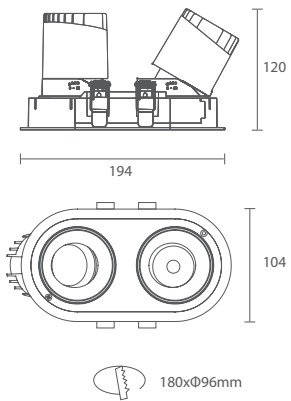
Power: 2x12W



Double head Adjustable

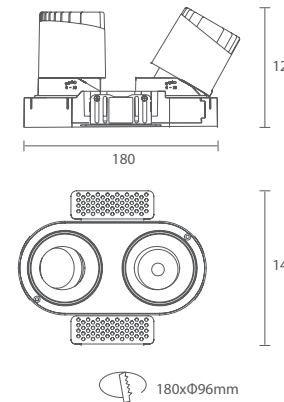
Model: CA-100302E75-2/CA-100302E75-2-LENS
 Power: 12Wx2
 Beam angle: 15°/24°/36°
 Beam angle(LENS): 10° /15° / 24° / 36° / 55°
 Cutout: 180xØ96mm
 Size(WxLxH): 194x104x120mm
 Size(WxLxH)(LENS): 194x104x110mm

Standard holder: **CREE** 1507
 Optional holder: **CREE** 1304
LUMINUS CXM-6/7/9



Model: CA-100302T75-2/CA-100302T75-2-LENS
 Power: 12Wx2
 Beam angle: 15°/24°/36°
 Beam angle(LENS): 10° /15° / 24° / 36° / 55°
 Cutout: 180xØ96mm
 Size(WxLxH): 180x145x120mm
 Size(WxLxH)(LENS): 180x104x110mm

Standard holder: **CREE** 1507
 Optional holder: **CREE** 1304
LUMINUS CXM-6/7/9



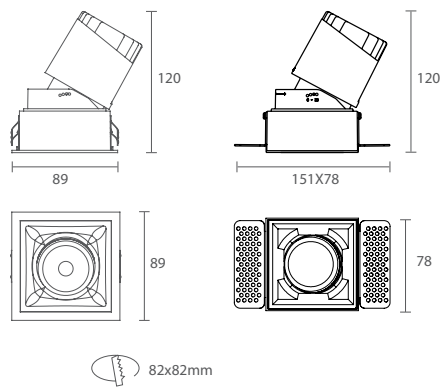
Reflect cover color choice :





Model: CA-100302E82/CA-100302E82(LENS)
 Power: 12W
 Beam angle: 15° / 24° / 36°
 Beam angle(LENS): 10°/15°/24°/36°/55°
 Rim Cutout: 82x82mm
 Trimless Cutout: 82x79mm
 Size(WxLxH): 89x89x120mm
 Size(WxLxH)(LENS): 89x89x110mm

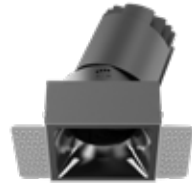
Standard holder: **CREE** 1507
 Optional holder: **CREE** 1304
LUMINUS CXM-6/7/9



Power: 12W



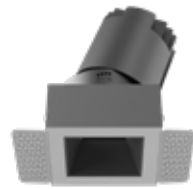
Square
 CA-100302E82/CA-100302E82-LENS



Square Trimless
 CA-100302T82/CA-100302T82-LENS



Square spot
 CA-100303E82/CA-100303E82-LENS



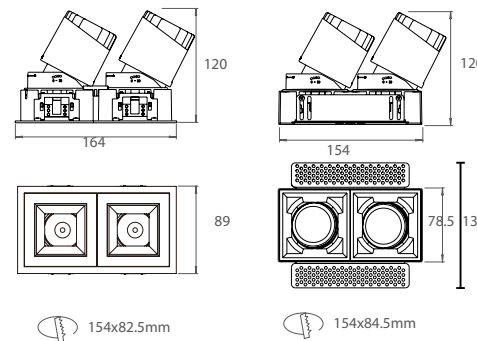
Trimless square spot
 CA-100303T82/CA-100303T82-LENS

Power: 12W



Model: CA-100302E82-2/CA-100302E82-2-LENS
 Power: 2X12W
 Beam angle: 15° / 24° / 36°
 Beam angle(LENS): 10°/15°/24°/36°/55°
 Rim Cutout: 154x82.5mm
 Trimless Cutout: 154x84.5mm
 Size(WxLxH): 164x89x120mm
 Size(WxLxH)(LENS): 164x89x110mm

Standard holder: **CREE** 1507
 Optional holder: **CREE** 1304
LUMINUS CXM-6/7/9



CASTLLER new upgrade



Square Double head
 CA-100302E82-2/CA-100302E82-2-LENS



Square Trimless Double head
 CA-100302T82-2/CA-100302T82-2-LENS



Double head Square spot
 CA-100303E82-2/CA-100303E82-2-LENS



Trimless Double Head Square spot
 CA-100303T82-2/CA-100303T82-2-LENS

Reflect cover color choice :



CASTLLER new upgrade

Power:20W

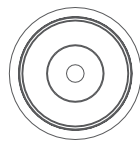
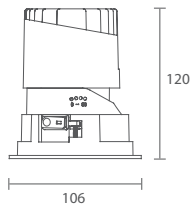
Power: 20W



Fixed

Model: CA-100301E95 /CA-100301E95-LENS
 Power: 20W
 Beam angle: 15° / 24° / 36° / 60°
 Beam angle(LENS): 10° / 15° / 24° / 36° / 50°
 Cutout: Ø95mm
 Size(WxH): Ø106x120mm
 Size(WxH)(LENS): Ø106XH115

Standard holder: **CREE** 1507
 Optional holder: **CREE** 1304
LUMINUS CXM-6/7/9



Adjustable
 CA-100302E95 /CA-100302E95-LENS



Round beam
 CA-100303E95/CA-100302E95-LENS



Oval beam
 CA-100304E95/CA-100302E95-LENS



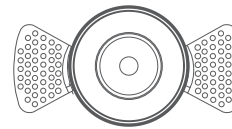
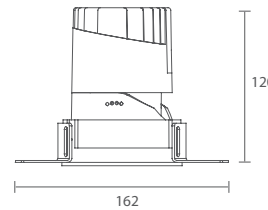
Anti-glare
 CA-100305E95/CA-100302E95-LENS



Trimless Fixed

Model: CA-100301T95/ CA-100301T95-LENS
 Power: 20W
 Beam angle: 15° / 24° / 36° / 60°
 Beam angle(LENS): 10° / 15° / 24° / 36° / 50°
 Cutout: Ø95mm
 Size(WxH): 162x120mm
 Size(WxH)(LENS): Ø106XH115

Standard holder: **CREE** 1507
 Optional holder: **CREE** 1304
LUMINUS CXM-6/7/9



Trimless Adjustable
 CA-100302T95/CA-100302T95-LENS



Trimless round beam
 CA-100303T95/CA-100303T95-LENS



Trimless Oval beam
 CA-100304T95/CA-100303T95-LENS



Trimless Anti-glare
 CA-100305T95/CA-100303T95-LENS

Reflect cover color choice :

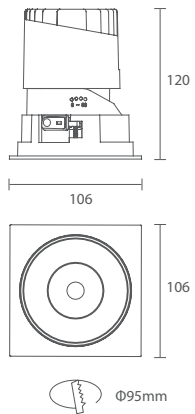




Fixed

Model: CA-100301P95/CA-100301P95-LENS
 Power: 20W
 Beam angle: 15°/ 24°/ 36°/ 60°
 Beam angle(LENS): 10°/ 15°/ 24°/ 36°/ 50°
 Cutout: Ø95mm
 Size(WxLxH): 106x106x120mm
 Size(WxH)(LENS): Ø106XH115

Standard holder: **CREE** 1507
 Optional holder: **CREE** 1304
LUMINUS CXM-6/7/9



Power:20W



Adjustable

CA-100302P95/CA-100302P95-LENS



round beam

CA-100303P95/CA-100303P95-LENS



Oval beam

CA-100304P95/CA-100304P95-LENS



Anti-glare

CA-100305P95/CA-100304P95-LENS

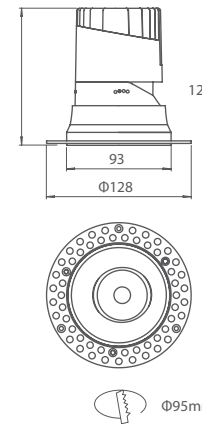
Power: 20W



Holistic Trimless Fixed

Model: CA-100301YT95/CA-100301YT95-LENS
 Power: 20W
 Beam angle: 15°/ 24°/ 36°/ 60°
 Beam angle(LENS): 10°/ 15°/ 24°/ 36°/ 50°
 Cutout: Ø95mm
 Size(WxLxH): Ø128x120mm
 Size(WxH)(LENS): Ø106XH115

Standard holder: **CREE** 1507
 Optional holder: **CREE** 1304
LUMINUS CXM-6/7/9



CASTLLER new upgrade



Holistic Trimless Adjustable
 CA-100302YT95/CA-100302YT95-LENS



Holistic Trimless round beam
 CA-100303YT95/CA-100303YT95-LENS



Holistic Trimless Oval beam
 CA-100304YT95/CA-100304YT95-LENS



Holistic Trimless Anti-glare
 CA-100305YT95/CA-100305YT95-LENS

Reflect cover color choice :



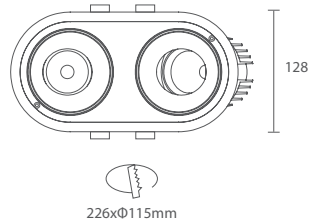
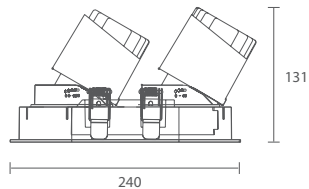
CASTLLER new upgrade



Double head Adjustable

Model: CA-100302E95-2/ CA-100302E95-2-LENS
 Power: 20Wx2
 Beam angle: 15°/ 24°/ 36°/ 60°
 Beam angle(LENS): 10°/ 15°/ 24°/ 36°/ 50°
 Cutout: 226xØ115mm
 Size(WxH): 240xØ128x131mm

Standard holder: **CREE** 1507
 Optional holder: **CREE** 1304
LUMINUS CXM-6/7/9



Power:2X20W



Double head Fixed
 CA-100301E95-2/CA-100301E95-2-LENS



Double head Round beam
 CA-100303E95-2/CA-100303E95-2-LENS



Double head Oval beam
 CA-100304E95-2/CA-100304E95-2-LENS



Double head Anti-glare
 CA-100305E95-2/CA-100305E95-2-LENS

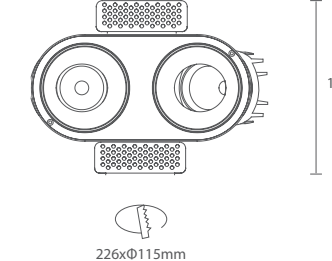
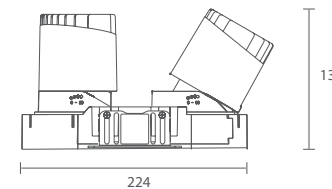
Power: 2X20W



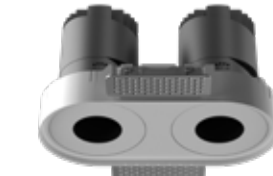
Double head Trimless Adjustable

Model: CA-100302T95-2/CA-100302T95-2-LENS
 Power: 20Wx2
 Beam angle: 15°/ 24°/ 36°/ 60°
 Beam angle(LENS): 10°/ 15°/ 24°/ 36°/ 50°
 Cutout: 226xØ115mm
 Size(WxH): 240x165x131

Standard holder: **CREE** 1507
 Optional holder: **CREE** 1304
LUMINUS CXM-6/7/9



Double head Trimless Fixed
 CA-100301T95-2/CA-100301T95-2-LENS



Double head Trimless round beam
 CA-100303T95-2/CA-100303T95-2-LENS



Double head Trimless Oval beam
 CA-100304T95-2/CA-100304T95-2-LENS



Double head Trimless Anti-glare
 CA-100305T95-2/CA-100305T95-2-LENS

Reflect cover color choice :



Power:30W

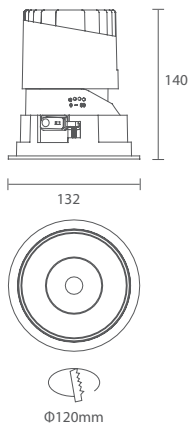
Power: 30W



Fixed

Model: CA-100301E120 /CA-100301E120-LENS
 Power: 30W
 Beam angle: 15° / 24° / 36°
 Beam angle(LENS): 10° / 15° / 24° / 36° / 55°
 Cutout: Ø120mm
 Size(WxH): Ø132x140mm

Standard holder: **CREE** 1816
 Optional holder: **CREE** 1830
LUMINUS CXM-14



Fixed

CA-100301E120/CA-100301E120-LENS



Adjustable

CA-100302E120/CA-100302E120-LENS



Anti-glare

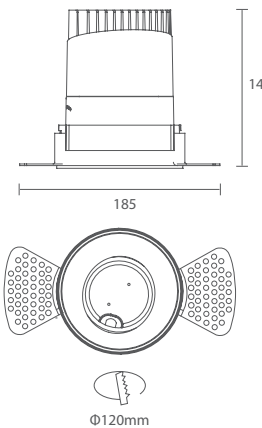
CA-100305E120/CA-100302E120-LENS



Trimless Fixed

Model: CA-100301T120 /CA-100301T120-LENS
 Power: 30W
 Beam angle: 15° / 24° / 36°
 Beam angle(LENS): 10° / 15° / 24° / 36° / 55°
 Cutout: Ø120mm
 Size(WxH): 185x140mm

Standard holder: **CREE** 1816
 Optional holder: **CREE** 1830
LUMINUS CXM-14



Trimless Fixed

CA-100301T120/CA-100301T120-LENS



Trimless Adjustable

CA-100302T120/CA-100302T120-LENS



Trimless Anti-glare

CA-100305T120/CA-100305T120-LENS

Reflect cover color choice :



CASTLLER new upgrade

Power:30W

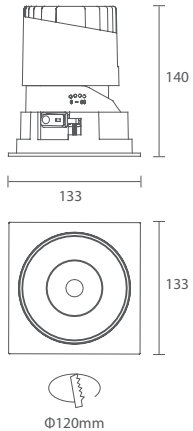
Power: 30W



Fixed

Model: CA-100301P120/CA-100301P120-LENS
 Power: 30W
 Beam angle: 15° / 24° / 36°
 Beam angle(LENS): 10° / 15° / 24° / 36° / 55°
 Cutout: Ø120mm
 Size(WxLxH): 133x133x140mm

Standard holder: **CREE** 1816
 Optional holder: **CREE** 1830
LUMINUS CXM-14



Fixed

CA-100301P120/CA-100301P120-LENS



Adjustable

CA-100302P120/CA-100302P120-LENS



Anti-glare

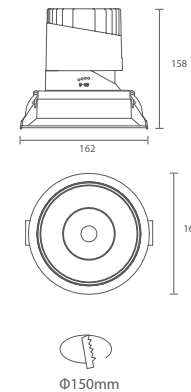
CA-100305P120/CA-100305P120-LENS



Trimless Fixed

Model: CA-100301E150/CA-100301E150-LENS
 Power: 30W
 Beam angle: 15° / 24° / 36°
 Beam angle(LENS): 10° / 15° / 24° / 36° / 55°
 Cutout: Ø150mm
 Size(WxH): Ø162x158mm

Standard holder: **CREE** 1816
 Optional holder: **CREE** 1830
LUMINUS CXM-14



Fixed

CA-100301E150/CA-100301E150-LENS



Adjustable

CA-100302E150/CA-100302E150-LENS



Anti-glare

CA-100305E150/CA-100302E150-LENS

Reflect cover color choice :



Power:2X30W

Power: 2X30W

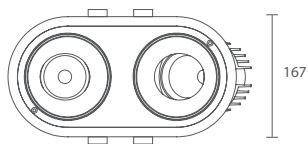
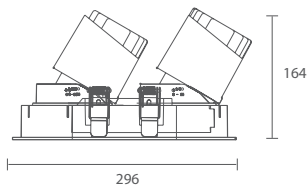


Model: CA-100302E120-2/ CA-100302E120-2-LENS
 Power: 30Wx2
 Beam angle: 15° / 24° / 36°
 Beam angle(LENS): 10° / 15° / 24° / 36° / 55°
 Cutout: 279xØ141mm
 Size(WxH): 296xØ167x164mm
 Size(WxH)(LENS): 296xØ167x170mm

Standard holder: **CREE** 1816

Optional holder: **CREE** 1830

LUMINUS CXM-14



Double head Fixed
 CA-100301E120-2/CA-100301E120-2-LENS



Double head Ad justable
 CA-100302E120-2/CA-100302E120-2-LENS



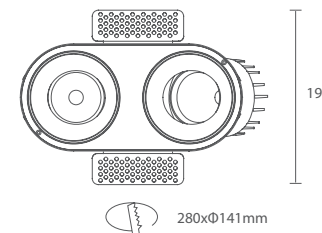
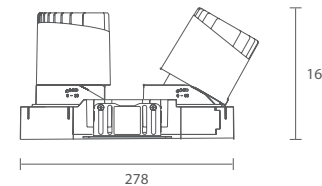
Double head Anti-glare
 CA-100305E120-2/CA-100305E120-2-LENS



Model: CA-100302T120
 Power: 30Wx2
 Beam angle: 15° / 24° / 36°
 Beam angle(LENS): 10° / 15° / 24° / 36° / 55°
 Cutout: 280xØ141mm
 Size(WxH): 278x195x164mm
 Size(WxH)(LENS): 278x195x170mm
 Standard holder: **CREE** 1816

Optional holder: **CREE** 1830

LUMINUS CXM-14



Double head Trimless Fixed
 CA-100301T120-2/CA-100301T120-2-LENS



Trimless Ad justable
 CA-100302T120-2/CA-100302T120-2-LENS



Trimless Anti-glare
 CA-100305T120-2/CA-100305T120-2-LENS

Reflect cover color choice :



CASTLLER new upgrade

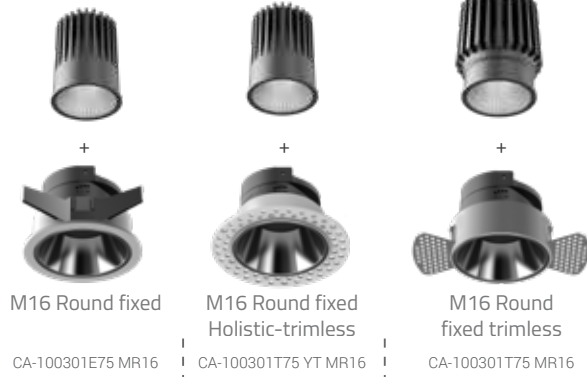
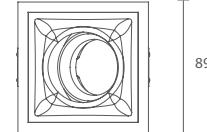
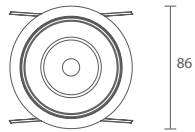
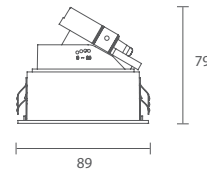
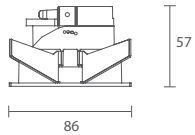
MR16-75

MR16-82

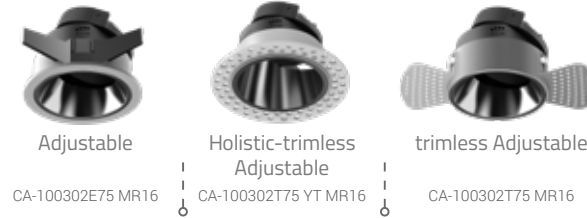


Model: CA-100302E75 MR16
 Power: 5W /10W / 15W
 Cutout: Ø75mm
 Beam angle: 20°/40°
 Size(WxLxH): Ø86x57mm

Model: CA-100302E82 MR16
 Power: 5W /10W / 15W
 Cutout: 82x82mm
 Beam angle: 20°/40°
 Size(WxLxH): 89x89x79mm



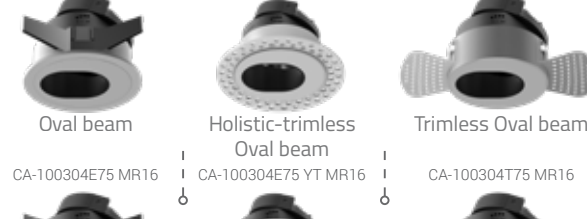
M16 Round fixed CA-100301E75 MR16
 M16 Round fixed Holistic-trimless CA-100301T75 YT MR16
 M16 Round fixed trimless CA-100301T75 MR16



Adjustable CA-100302E75 MR16
 Holistic-trimless Adjustable CA-100302T75 YT MR16
 trimless Adjustable CA-100302T75 MR16



Round beam CA-100303E75 MR16
 Holistic-trimless Round beam CA-100303T75 YT MR16
 Trimless Round beam CA-100303T75 MR16



Oval beam CA-100304E75 MR16
 Holistic-trimless Oval beam CA-100304E75 YT MR16
 Trimless Oval beam CA-100304T75 MR16



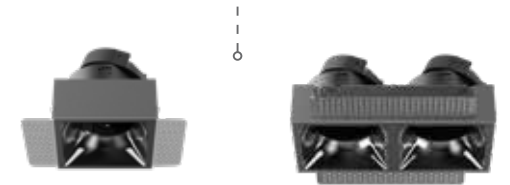
Anti-glare CA-100305E75 MR16
 Holistic-trimless Anti-glare CA-100305E75 YT MR16
 Trimless Anti-glare CA-100305T75 MR16



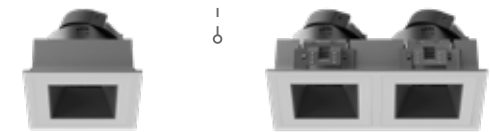
MR16 Square



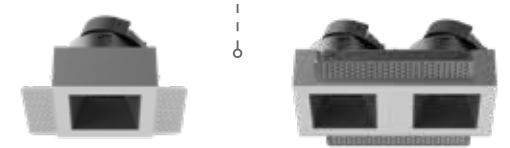
Single/Double head



Single/Double head Trimless



Single/Double head Trimless spot



Single/Double head Trimless square spot

Reflect cover color choice :



MR16

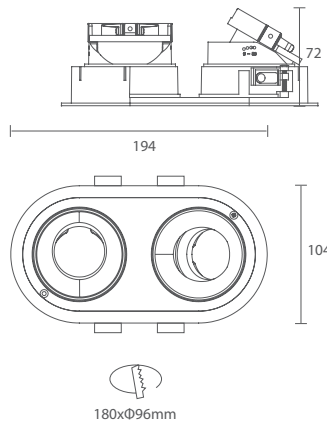
MR16

CASTLLER new upgrade



M16 Double head fixed

Model: CA-1003E75 MR16
 Power: 5Wx2 / 10Wx2 / 15Wx2
 Cutout: 180xØ96mm
 Beam angle: 20°/40°
 Size(WxLxH): Ø194x104x72mm



M16 Double head Ad justable
 CA-100302E75 M16



M16 Double head Round beam
 CA-100303E75 M16



M16 Double head Oval beam
 CA-100304E75 M16

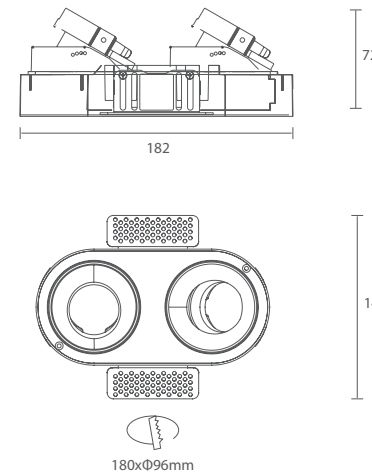


M16 Double head Anti-glare
 CA-100305E75 M16



M16 Double head Trimless fixed

Model: CA-100301T75 MR16
 Power: 5Wx2 / 10Wx2 / 15Wx2
 Cutout: 180xØ96mm
 Beam angle: 20°/40°
 Size(WxLxH): 182x145x72mm



M16 Double head Trimless Ad justable
 CA-100302E75 M16



M16 Double head Trimless Round beam
 CA-100303E75 M16



M16 Double head Trimless Oval beam
 CA-100304E75 M16



M16 Double head Trimless Anti-glare
 CA-100305E75 M16

Reflect cover color choice :



MR16

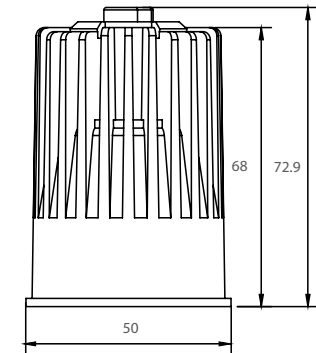
MR16

Matching MR16 light source Matching

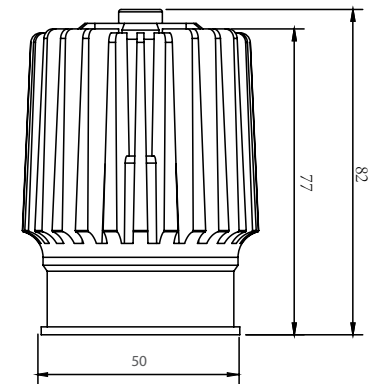
matched with different light source modules , changeable in combination



Reflect cover color choice :



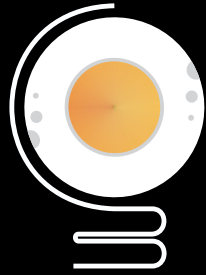
Model: MR0710
Power: 10W
Beam angle: 20°/40°
Size(WxLxH): Ø50x72.9mm



Model: MR1215
Power: 15W
Beam angle: 20°/40°
Size(WxLxH): Ø50x82mm







LIGHTBOOK RETAIL PRIVATE LIMITED

CORPORATE OFFICE

Lightbook Retail Private Limited
Unit No 205, 2nd Floor,
Asher 16, Belleza Building,
Road no-16 Z, Wagle Estate,
Thane (W) - 400604
Mob : 9004069004/9820149056
info@lightbookinternational.com

FACTORY

Lightbook Retail Private Limited
Servey No 243 B & 295, Plot No 10,
J C Industrial Estate, Nama Shivaasthu Udyog Nagar,
Village Kolgaon, Palghar (East) - 401404
Mob : 9004069004/9820149056
pravink@lightbookinternational.com
ashwin@lightbookinternational.com